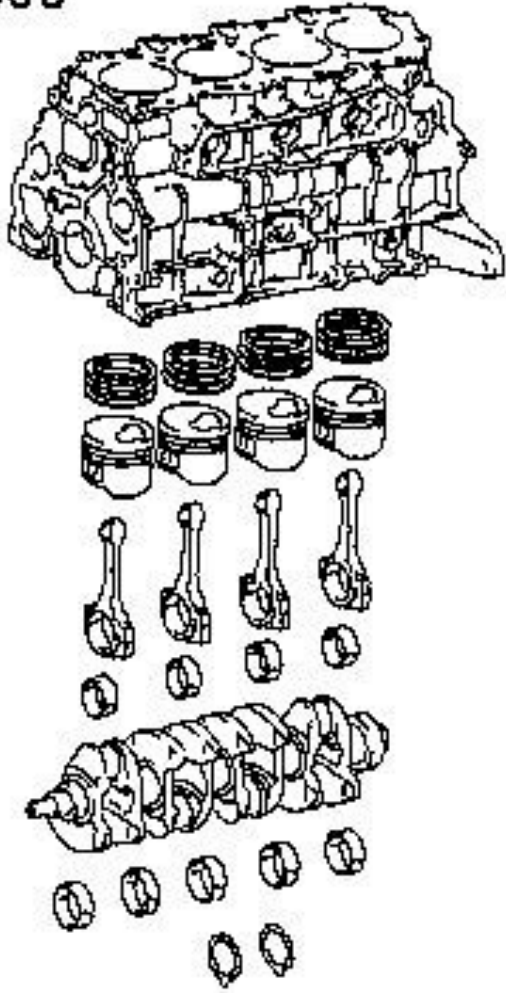


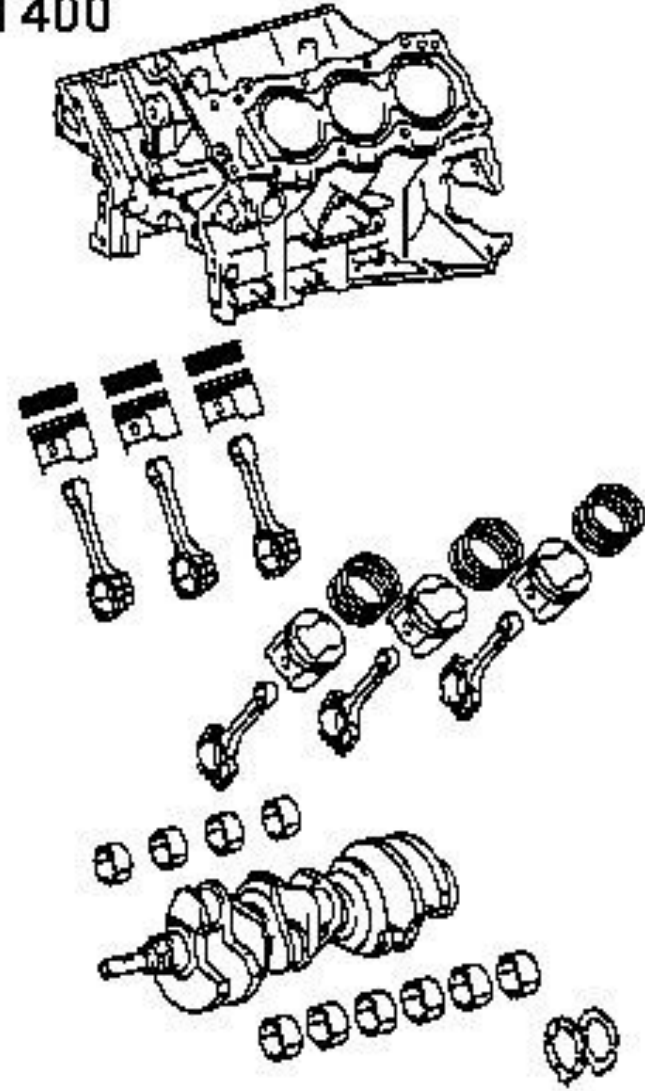
1KD#

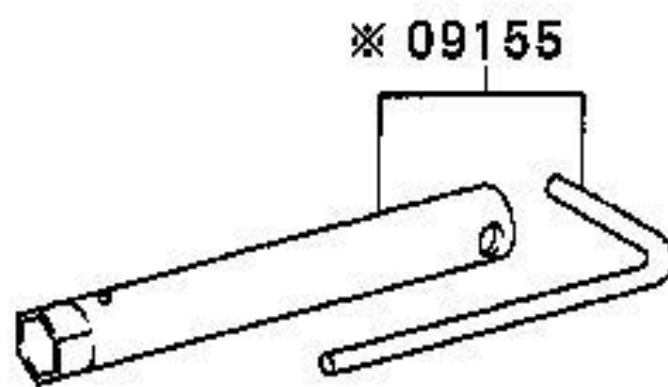
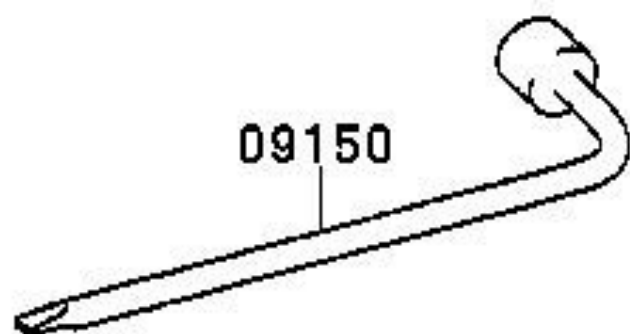
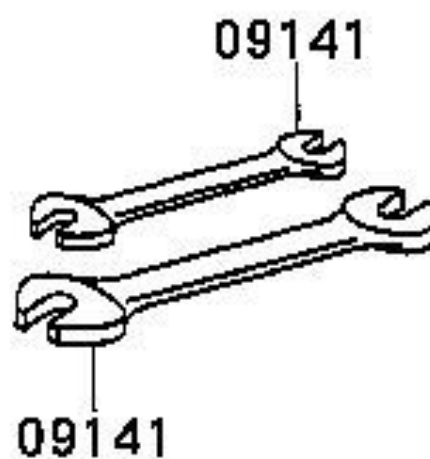
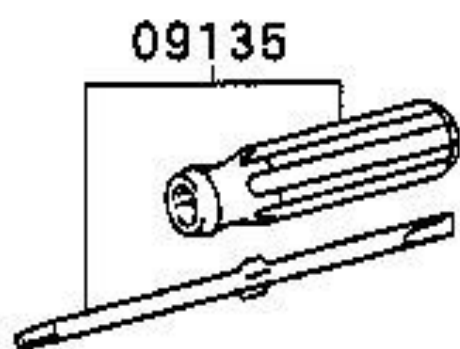
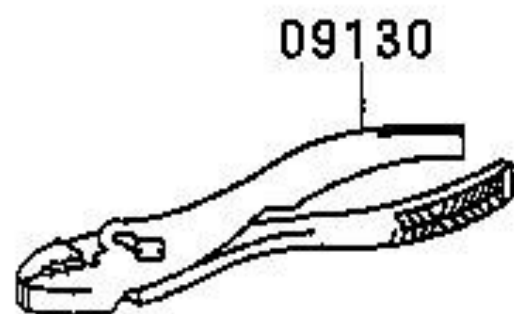
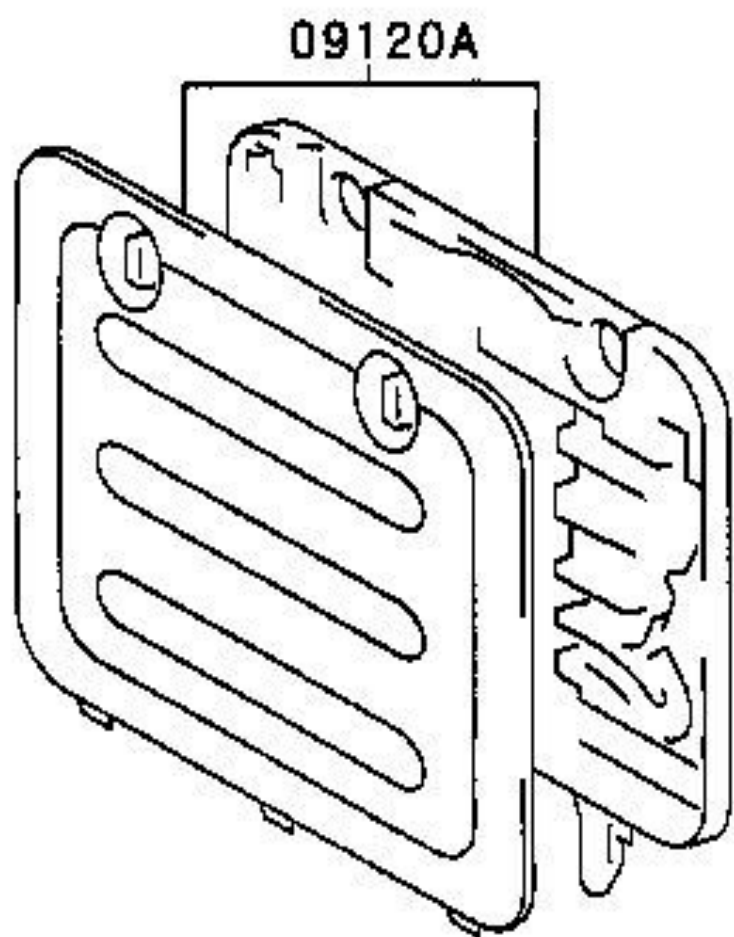
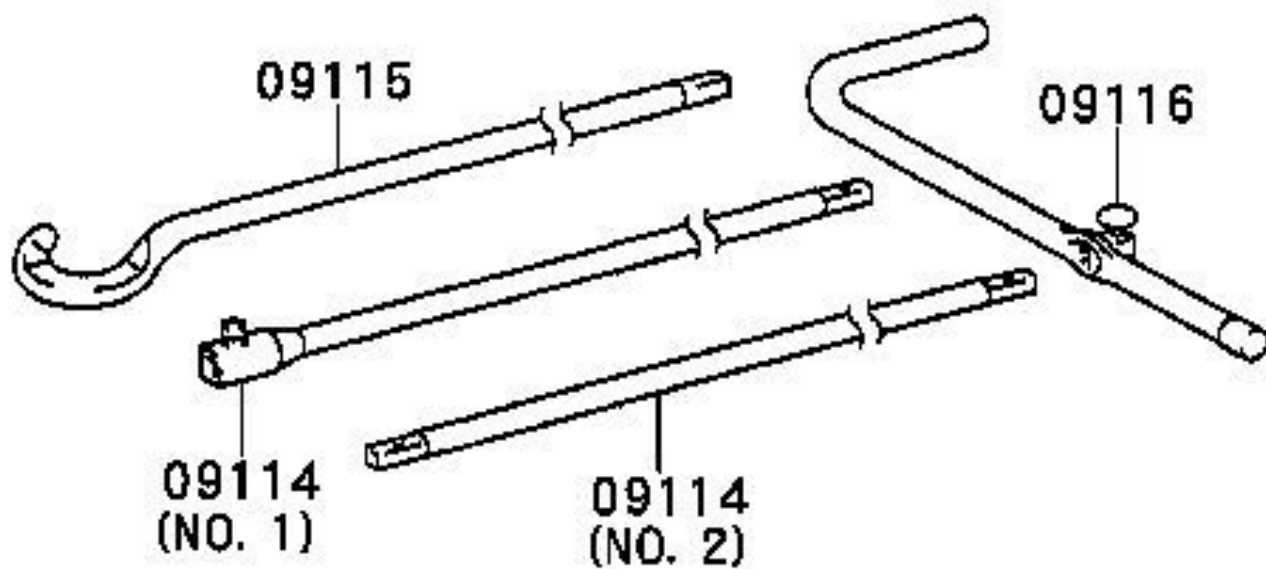
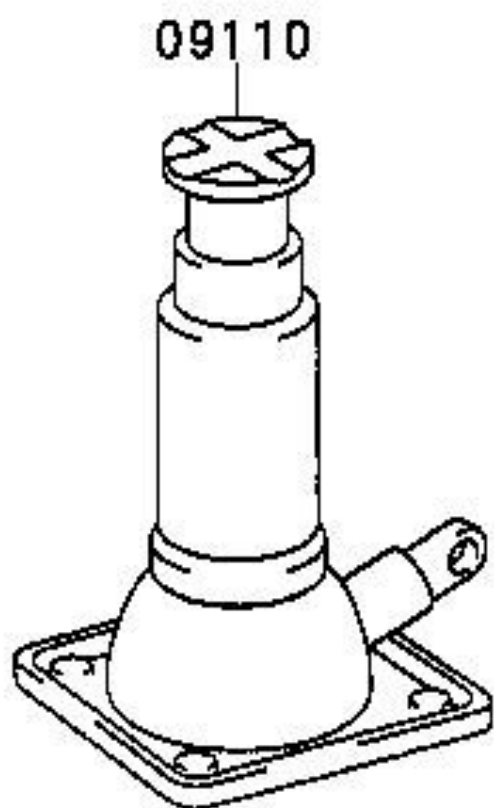
11400



1GR#

11400





* GRJ12#

92122-60614 (2)

11425

11448

REFER TO FIG 16-03 (PNC 16285B)

REFER TO FIG 13-01 (PNC 13101)

11431B

11434J

11431E

11431A

11431C

11431C

11431F

11434D

11434A

11434G

11431F

11416

11431G

11431D

11401

96721-24014

12151

11444

91511-B0616

90116-06138 (3)

15708

15605

REFER TO FIG 15-02

90116-06171

90250-08120 (2)

90116-06140 (2)

12156

12101

15301

91511-B0812 (2)

90105-06295 (22)

90179-06298 (2)

91511-B0610

12104

90116-06140 (2)

91511-80620 (4)

12102A

11452

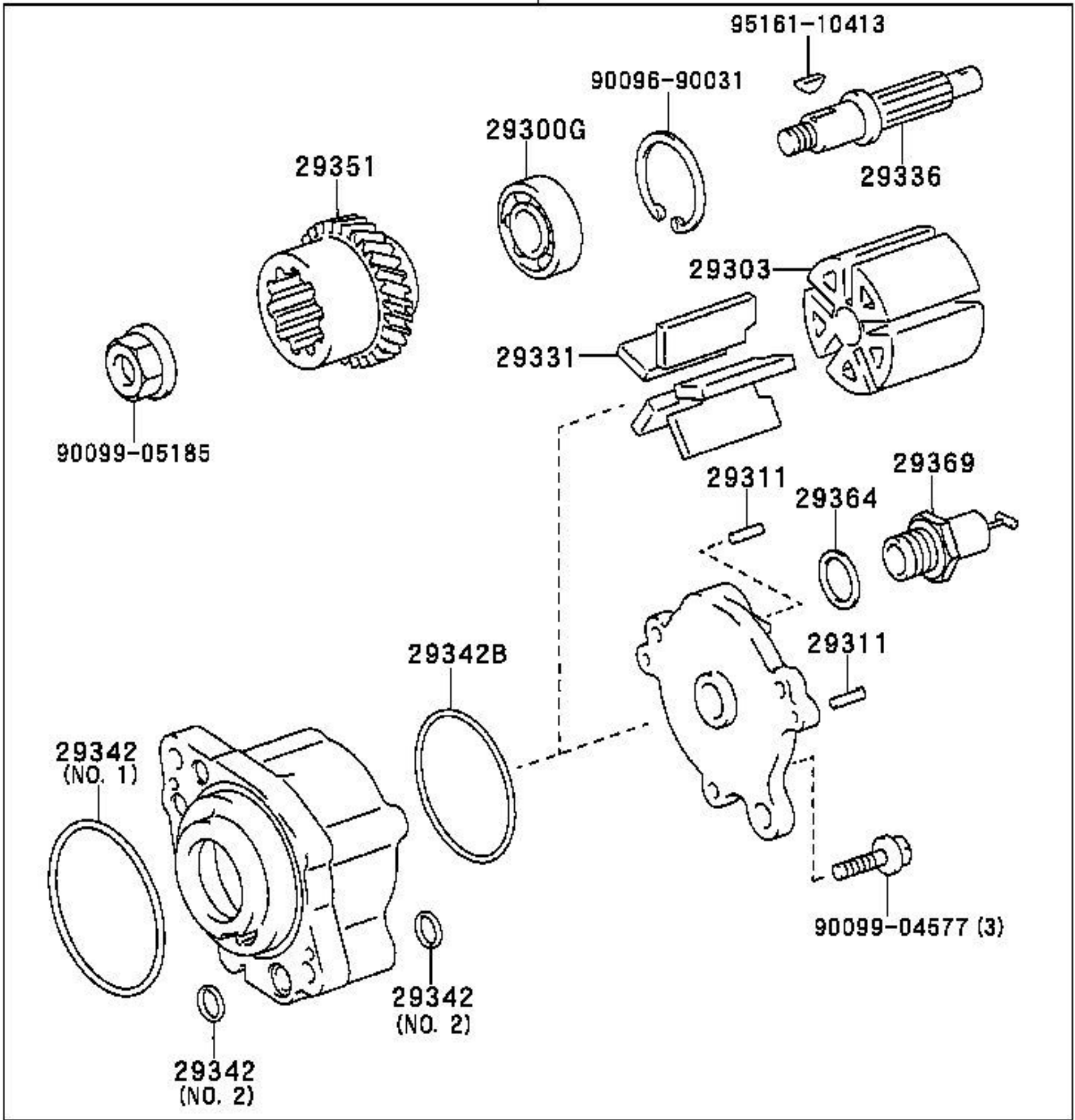
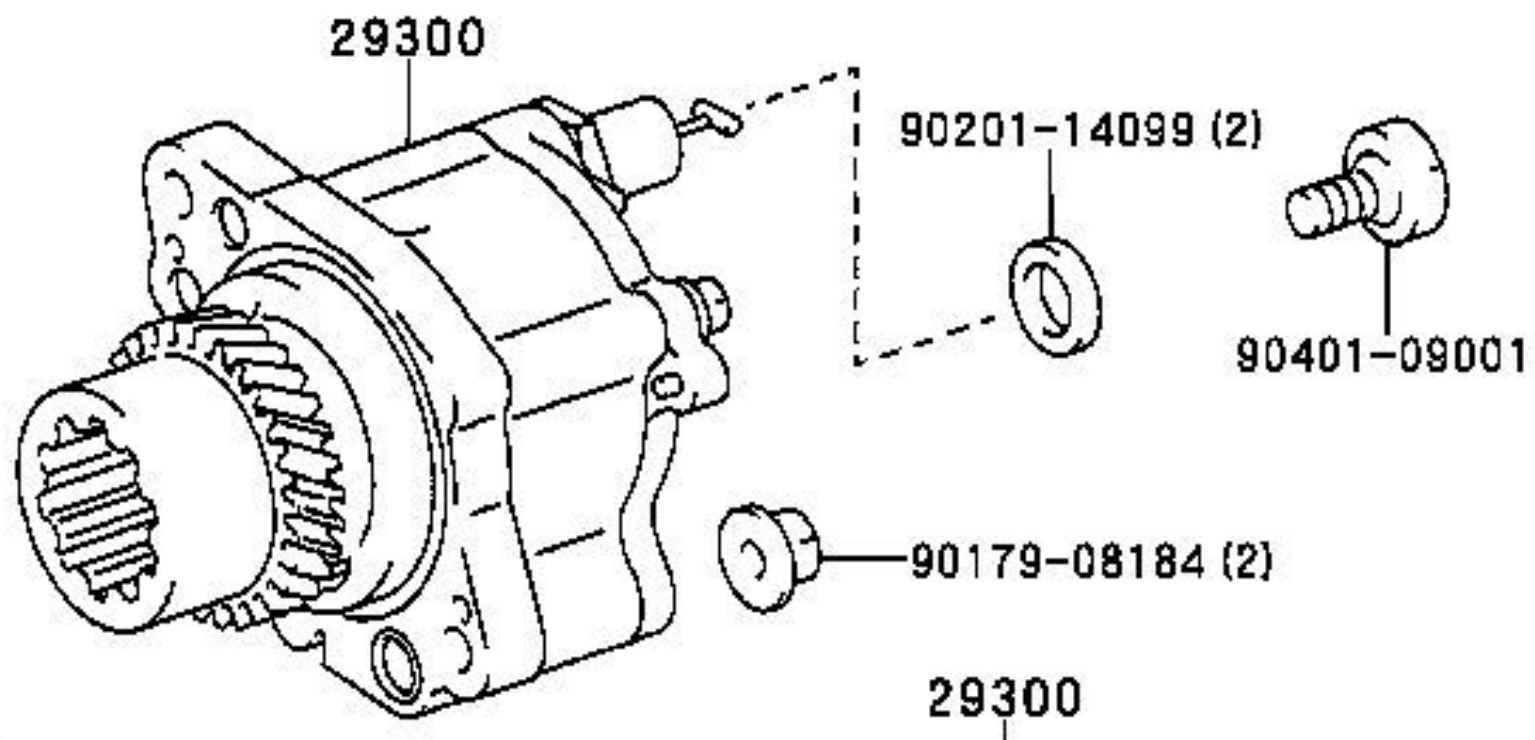
90119-06754 (11)

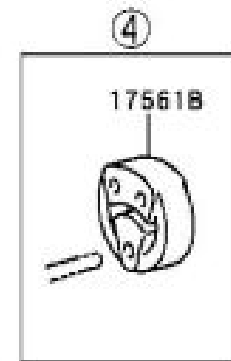
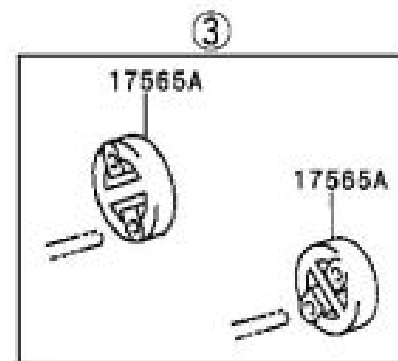
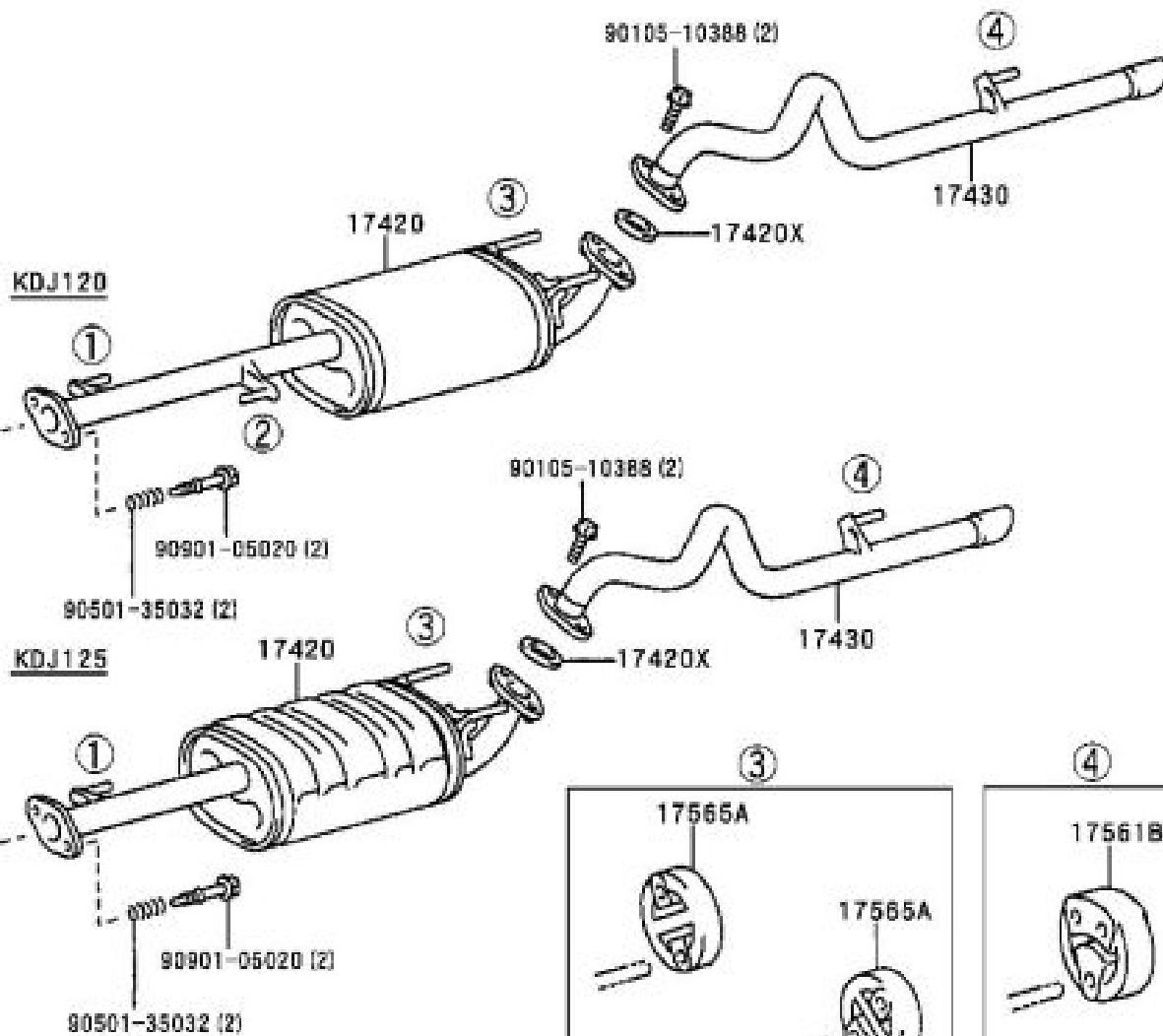
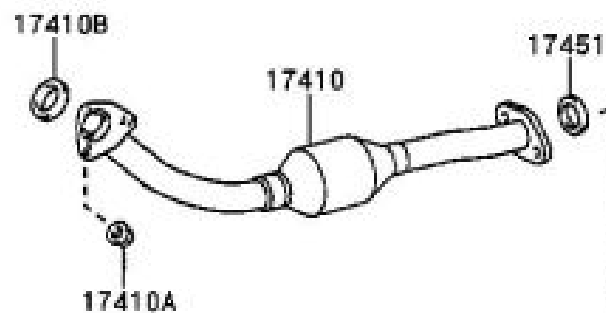
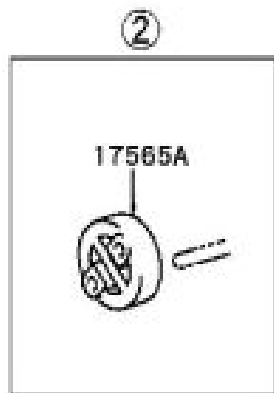
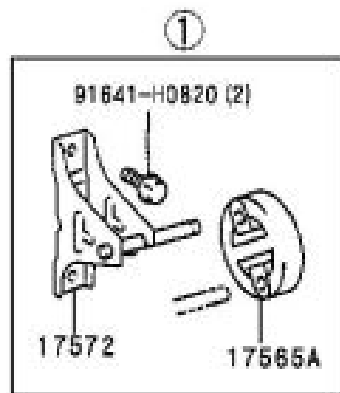
90179-06298 (2)

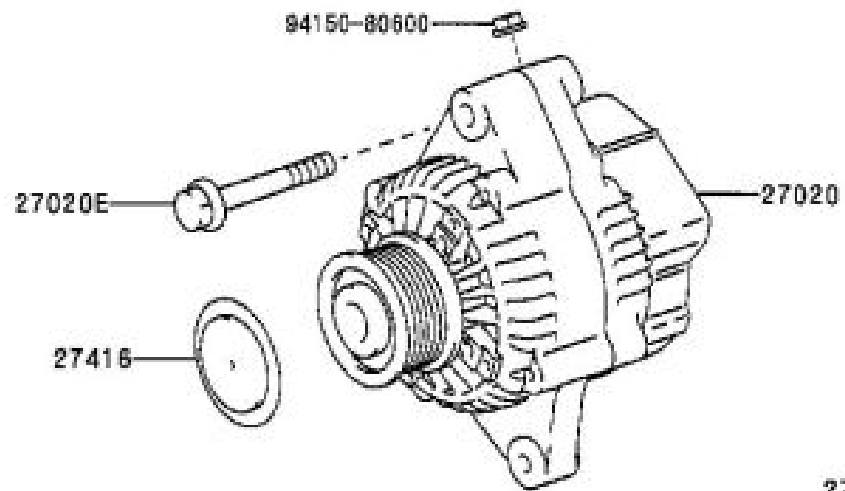
12101B

12101A

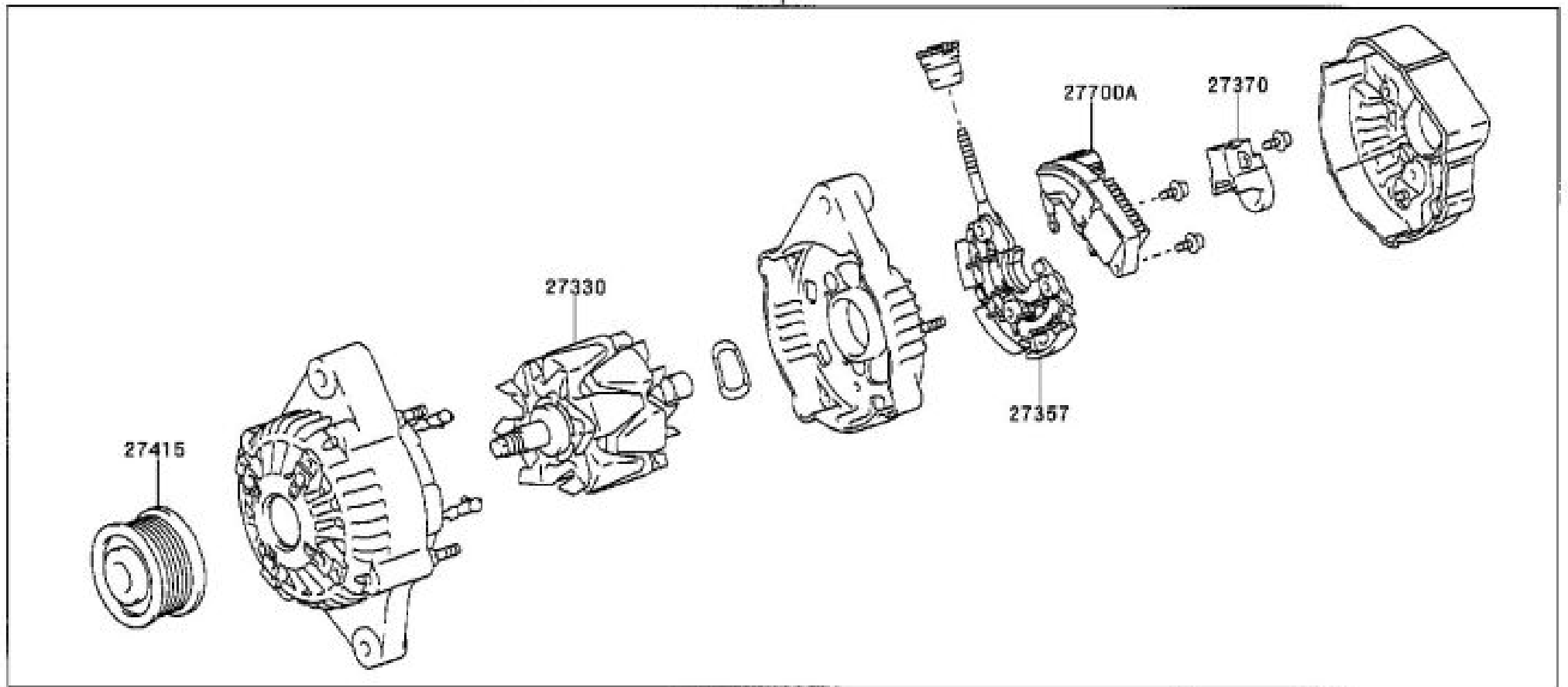
90301-09018

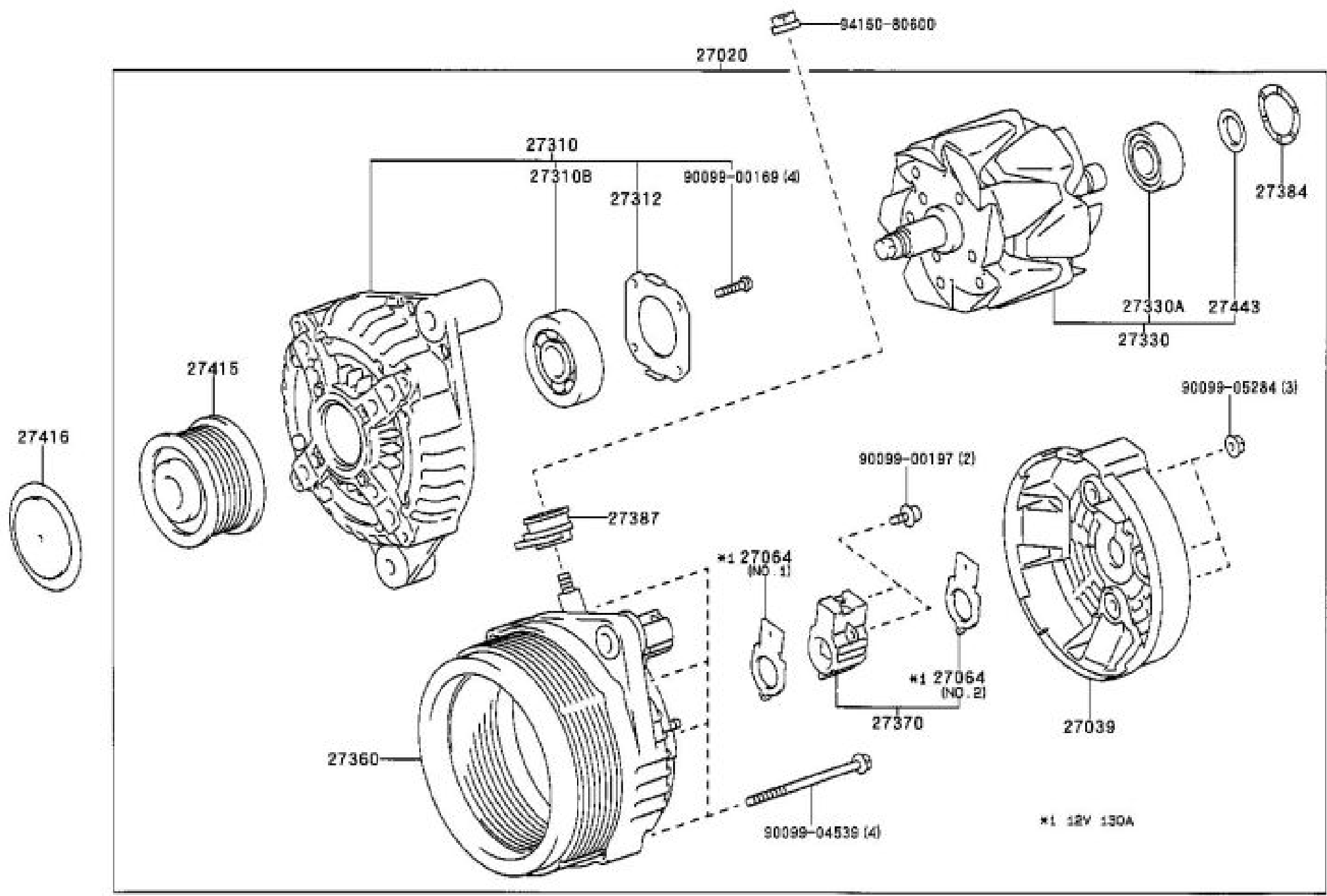


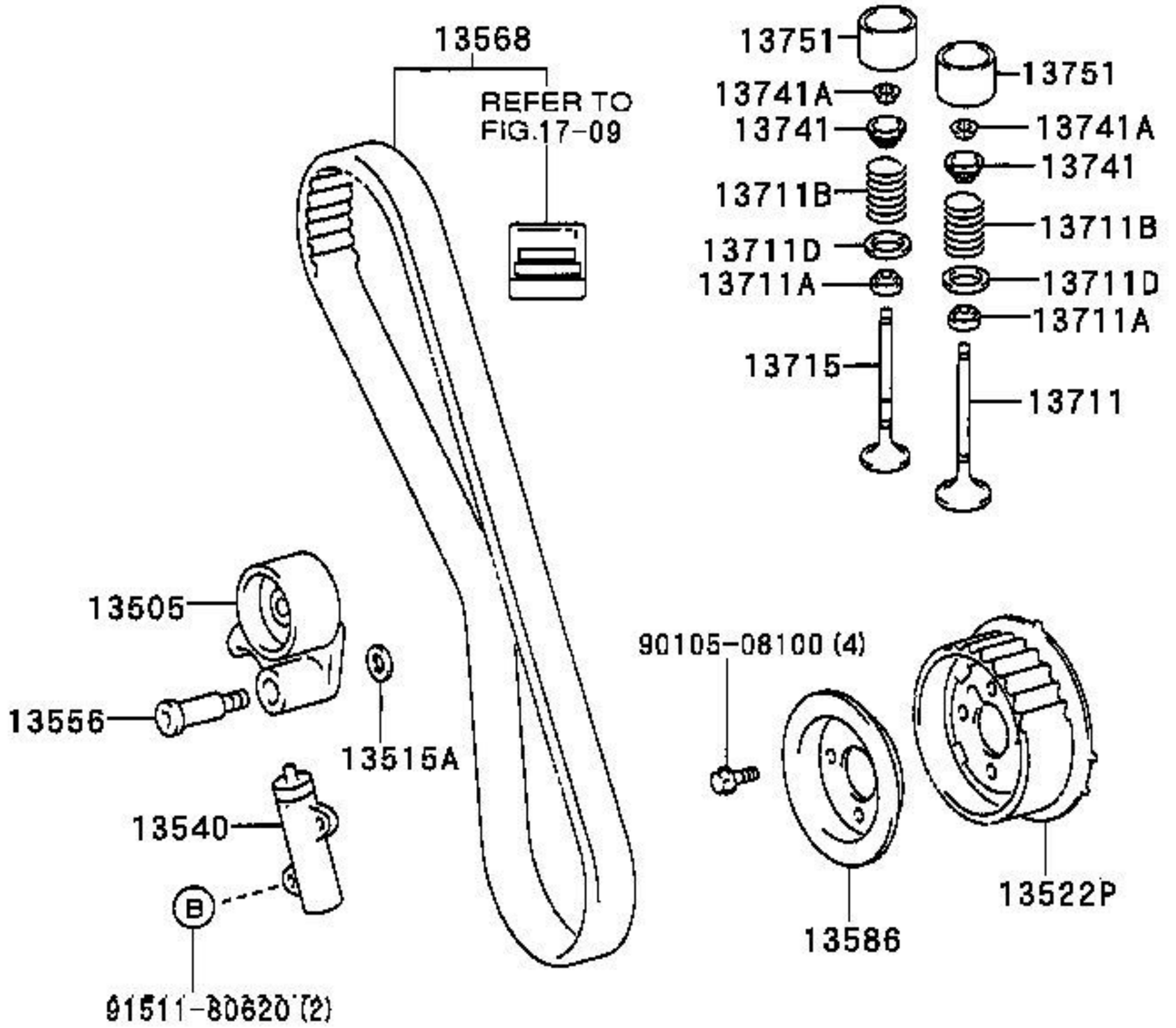
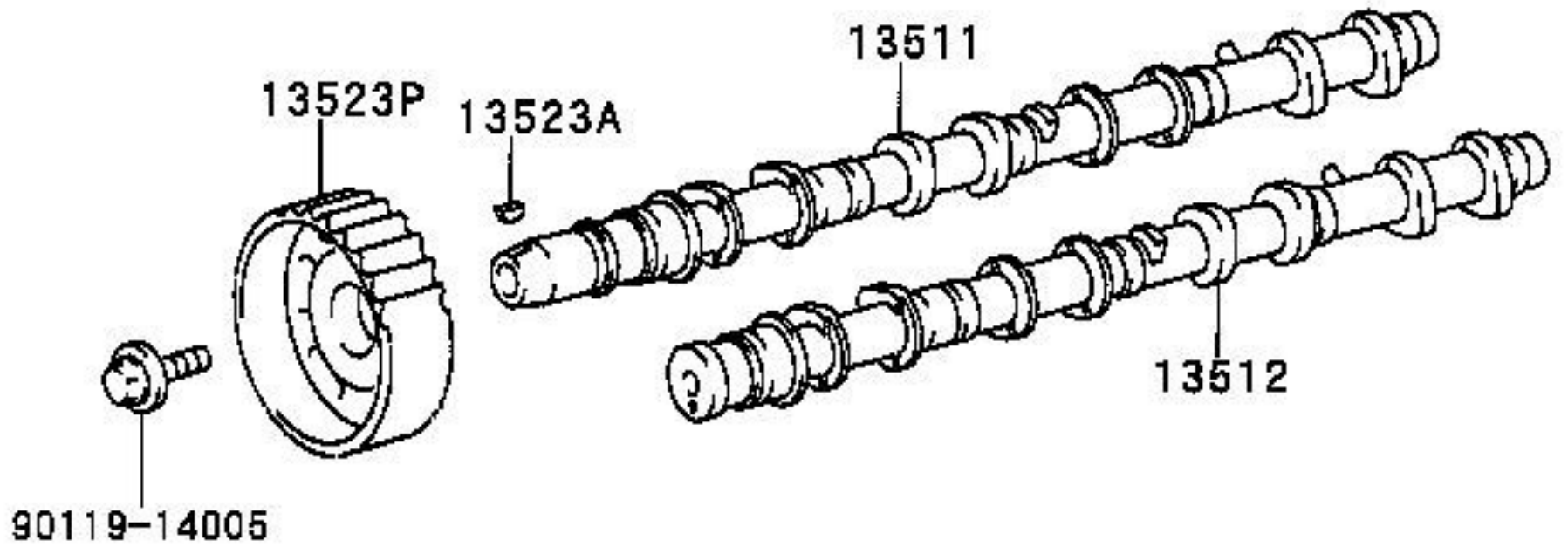




27020

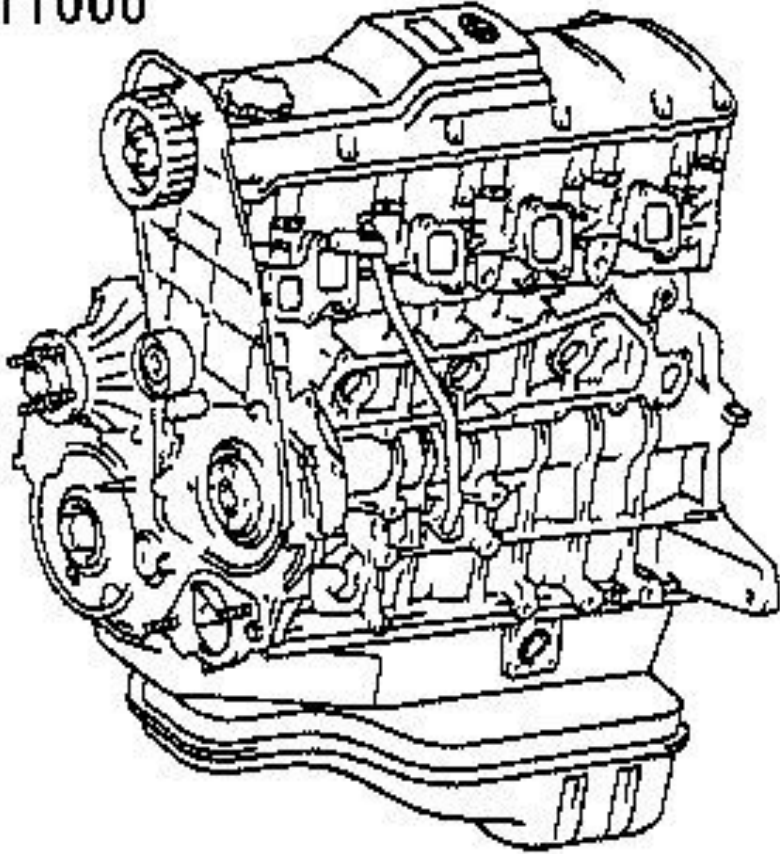






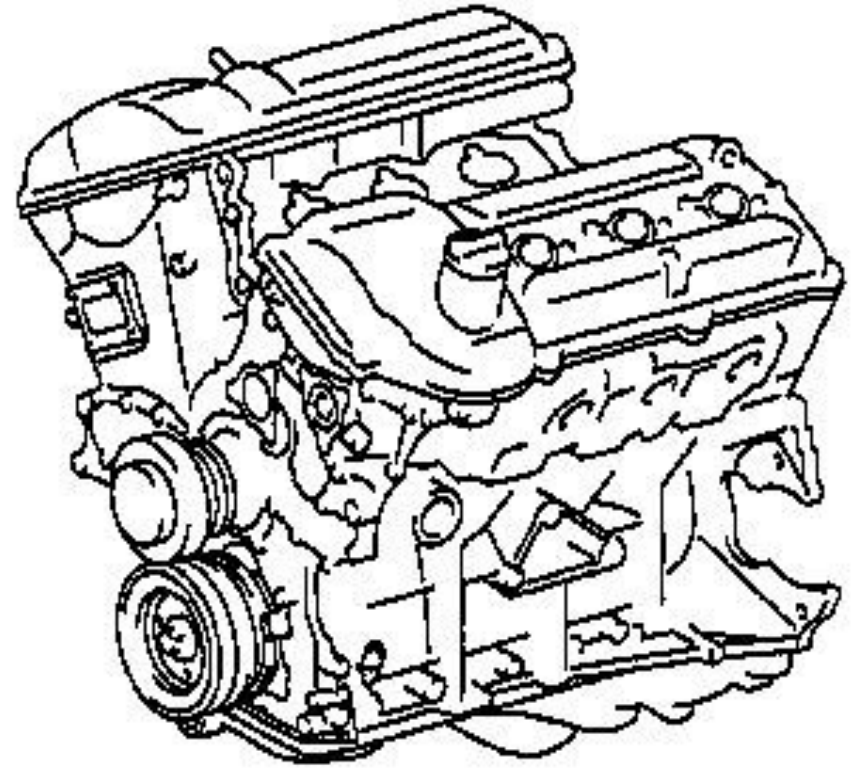
1KD#

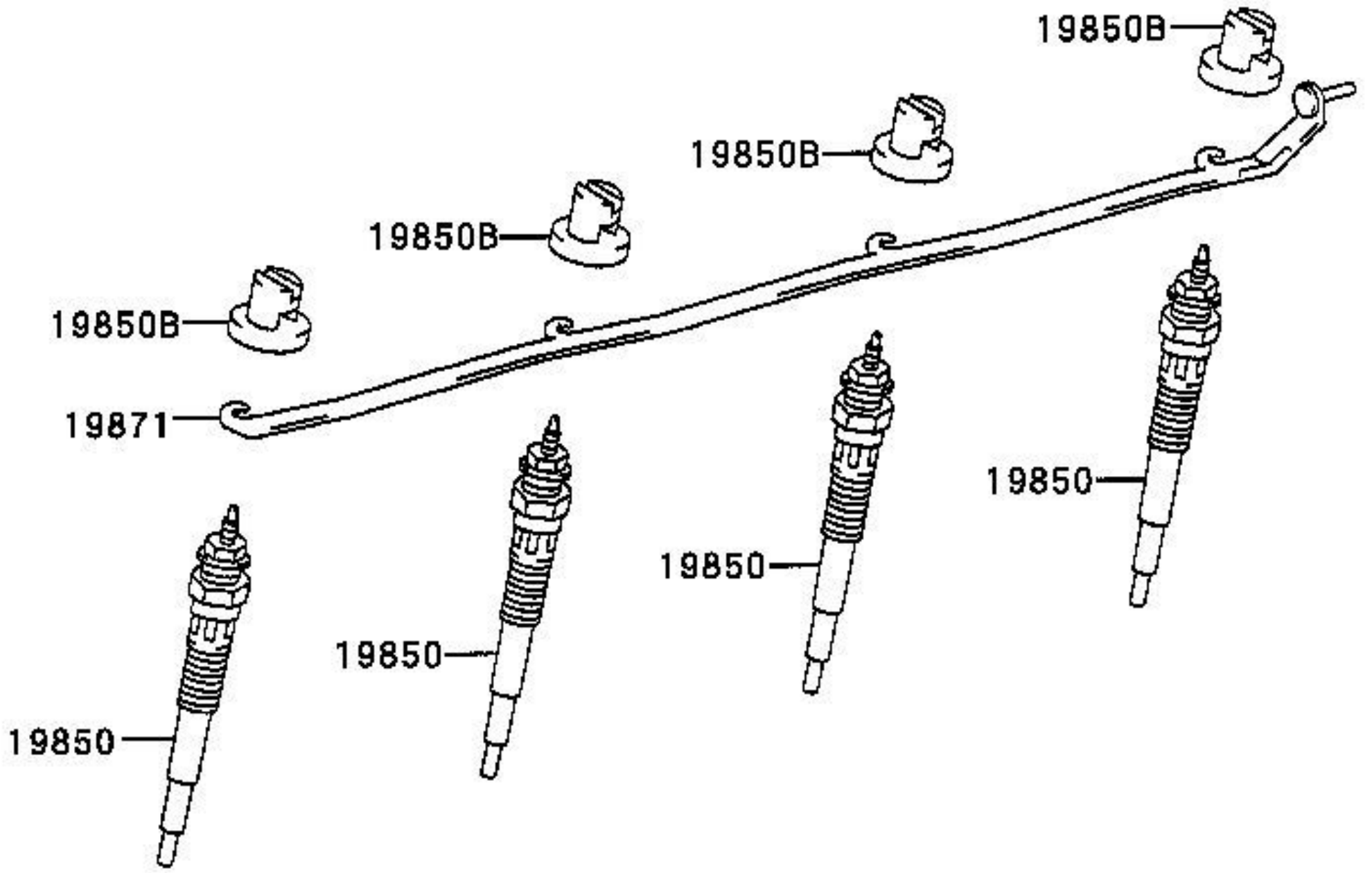
11000

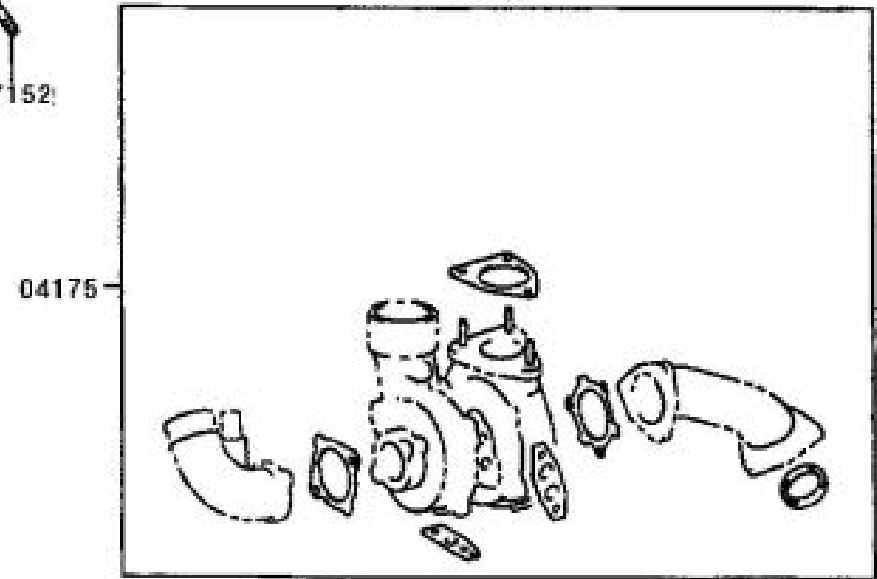
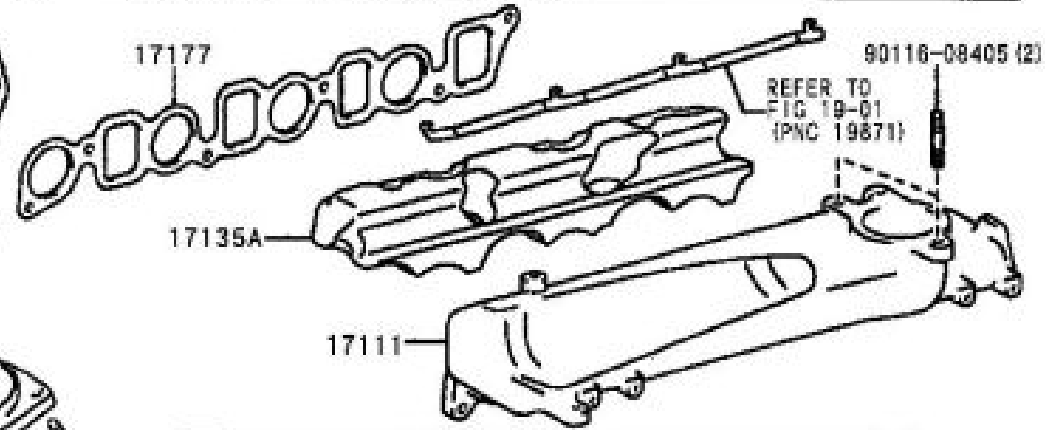
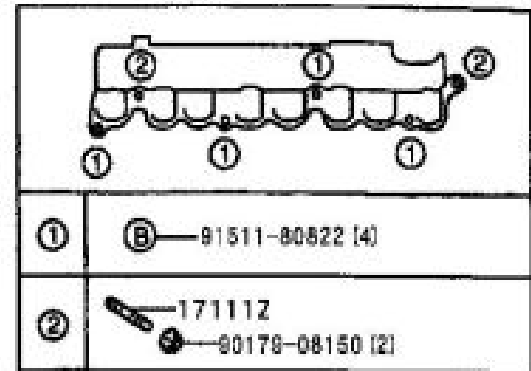
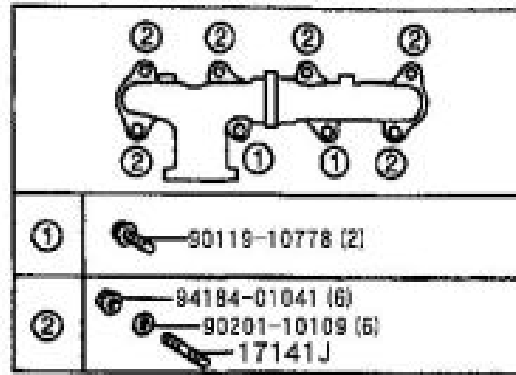
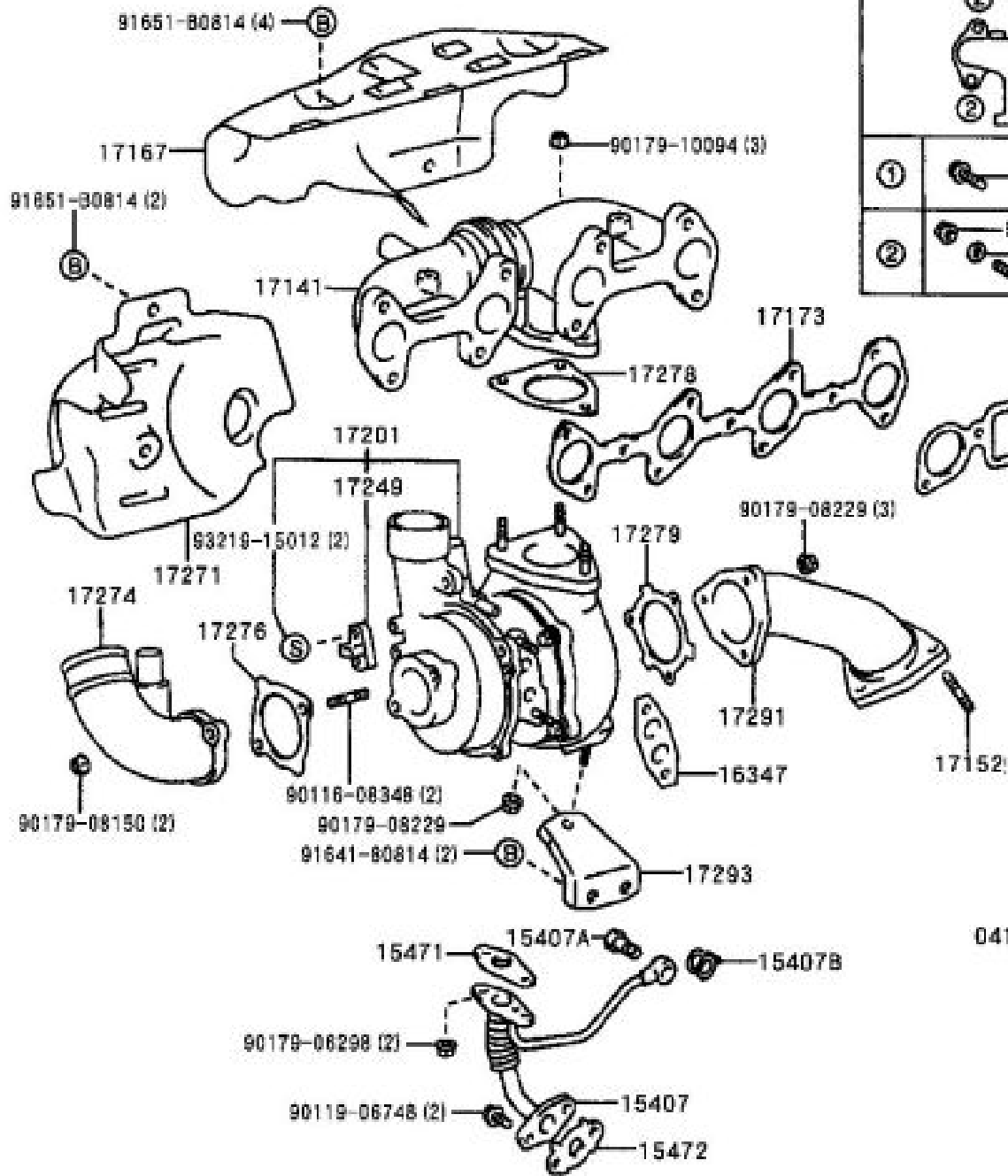


1GR#

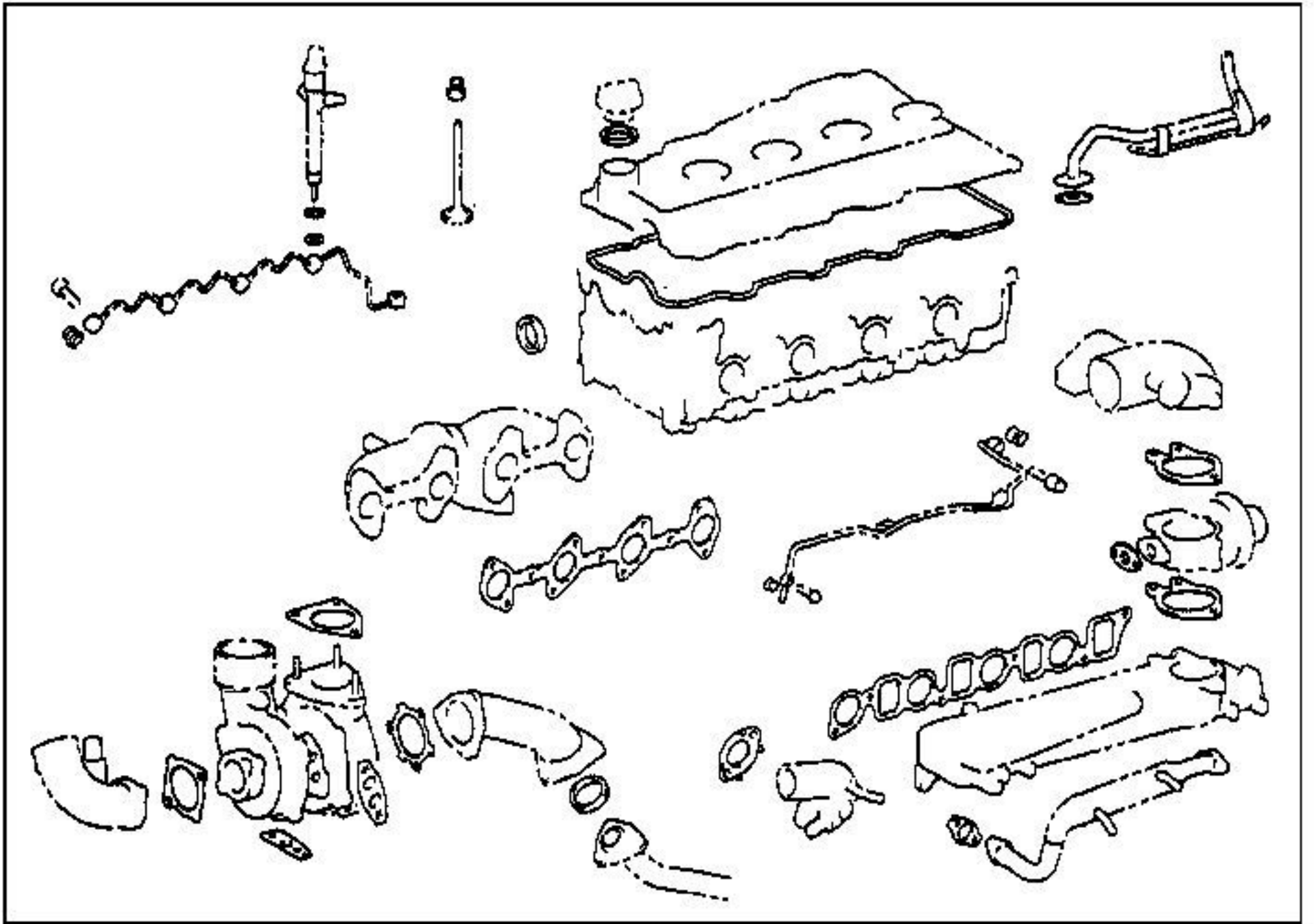
11000



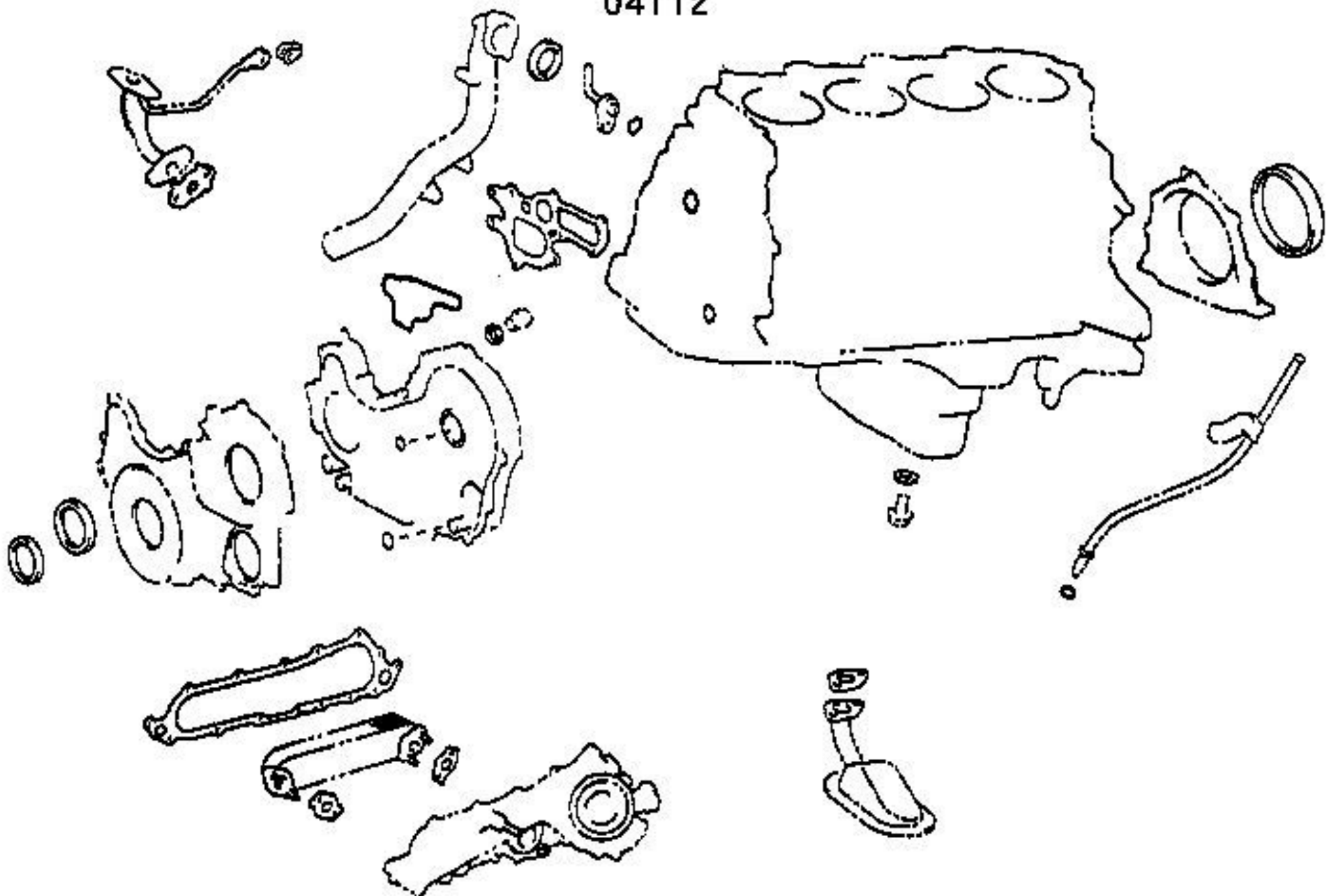


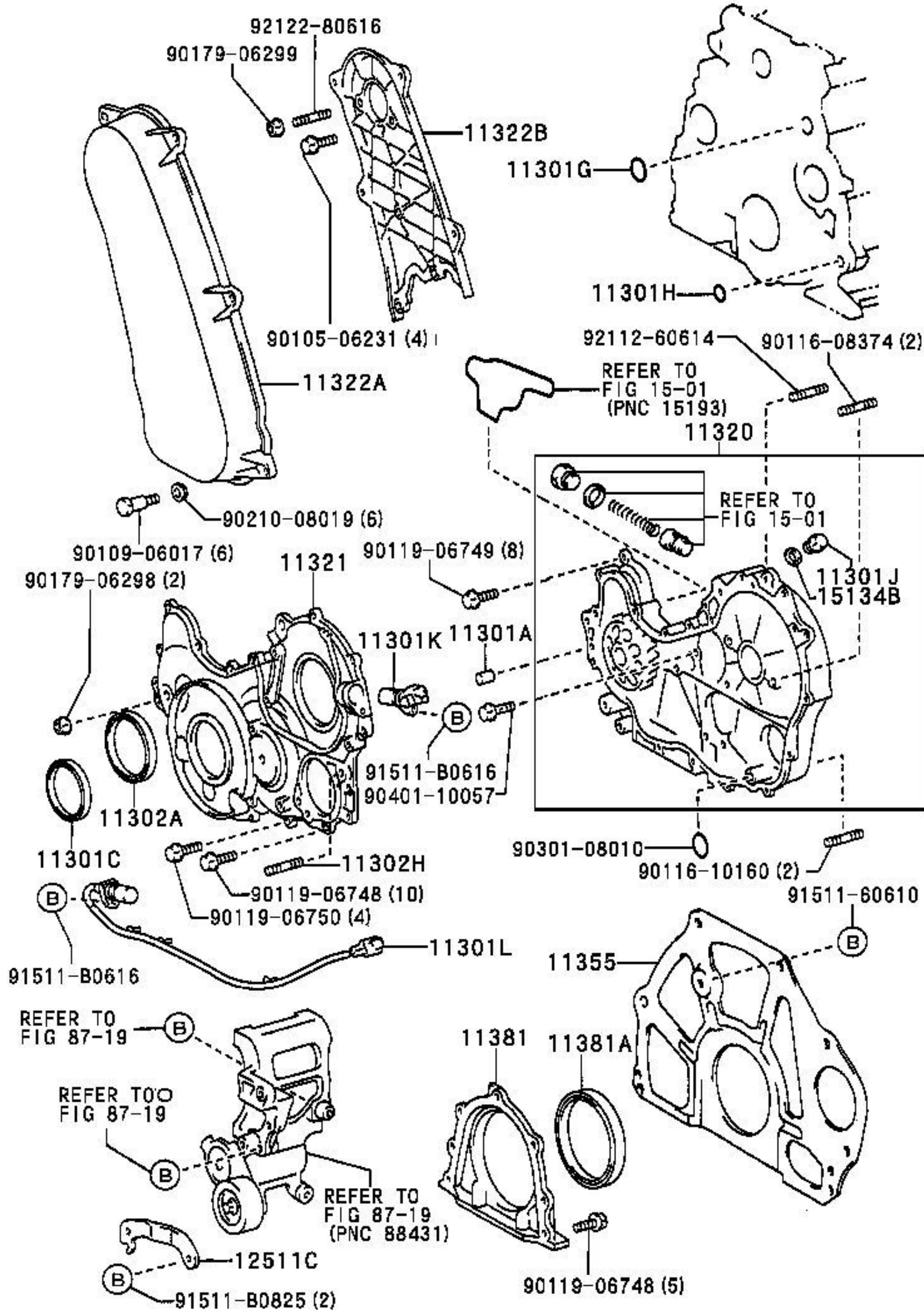


04111



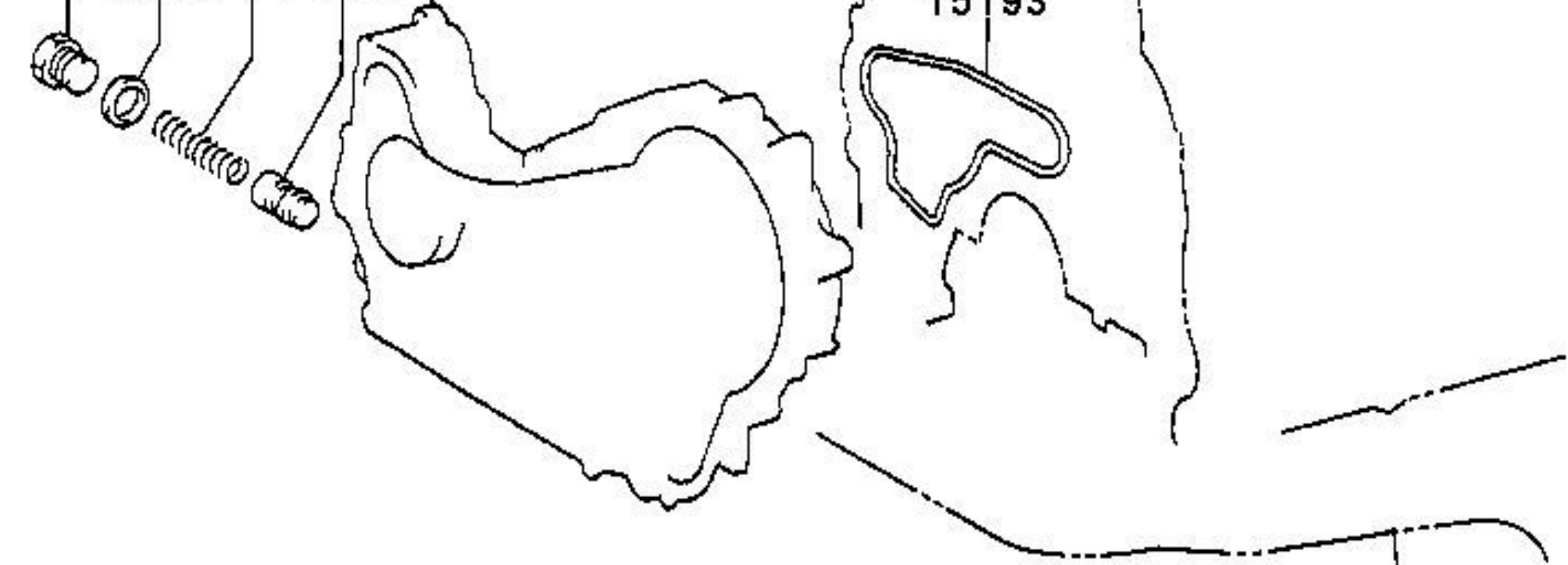
04112





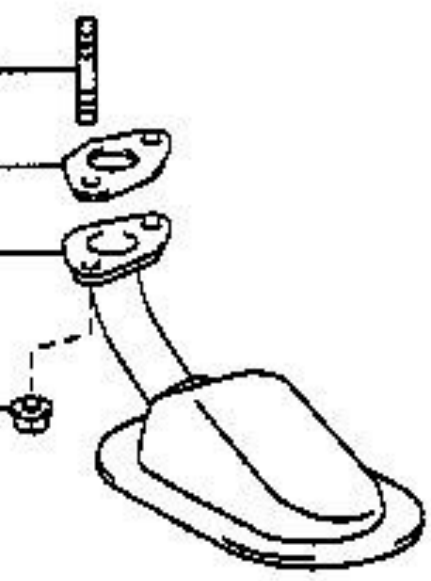
REFER TO
FIG 11-06
(PNC 11320)

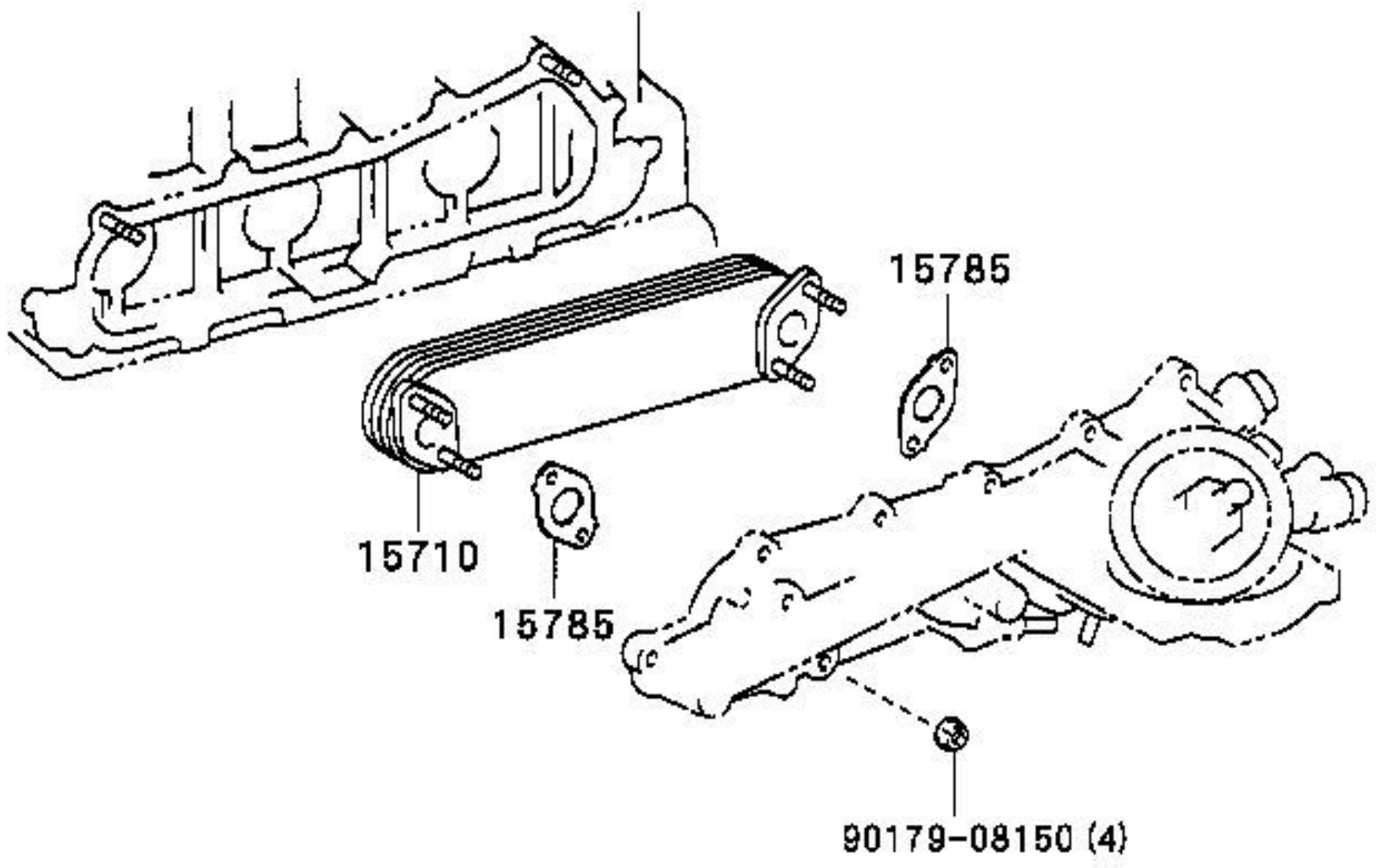
15133 15132
15134 15131



15104E
15149
15104

90179-06298 (2)

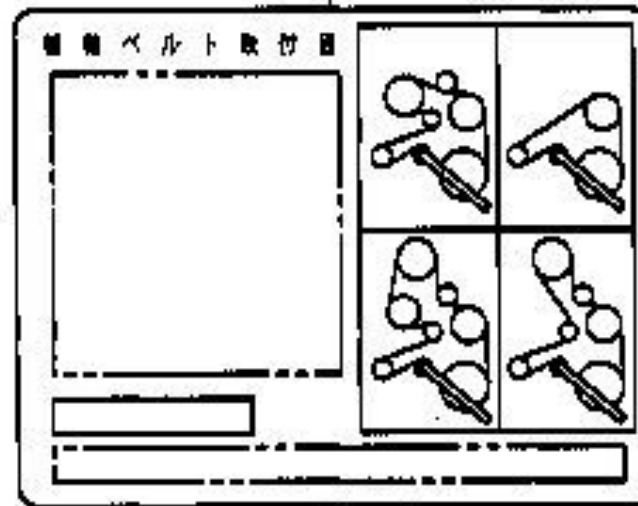




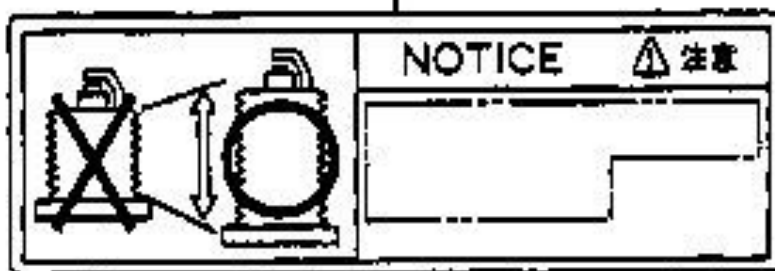
13564-10010



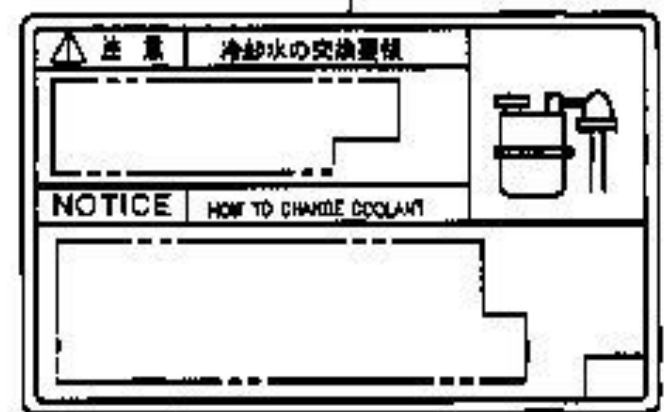
11297B



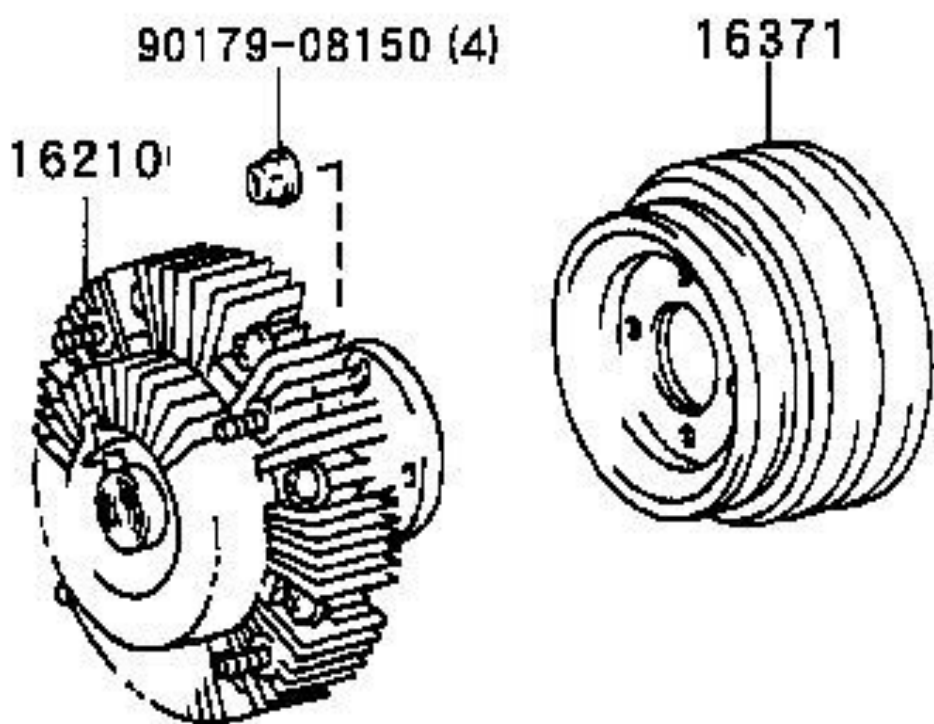
11289A



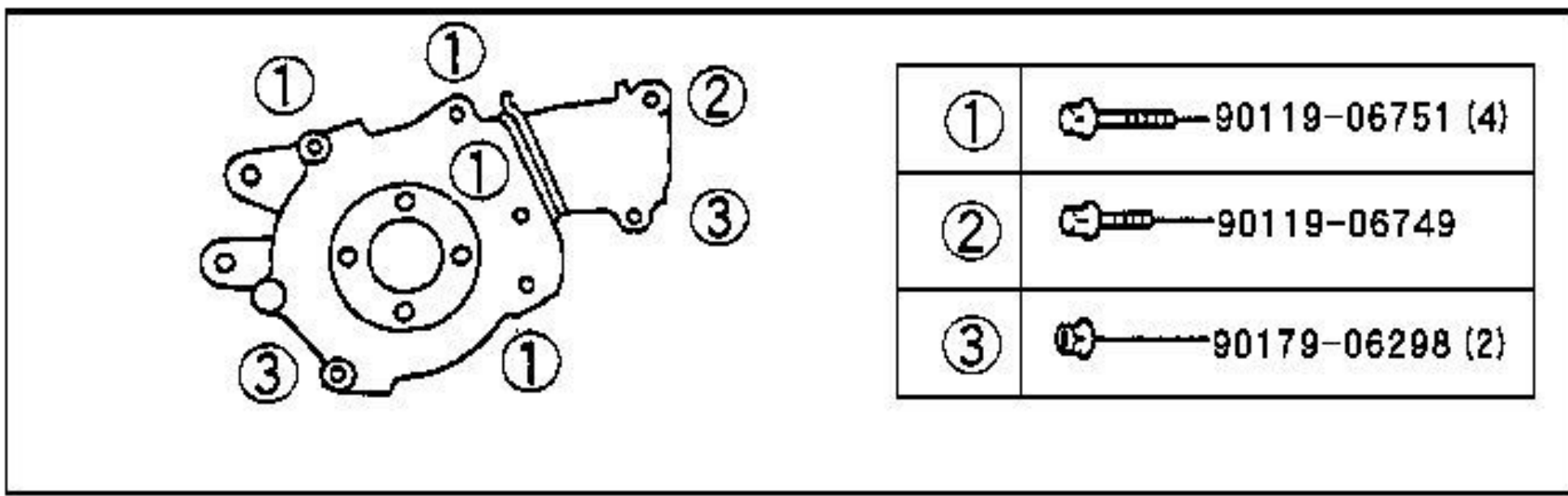
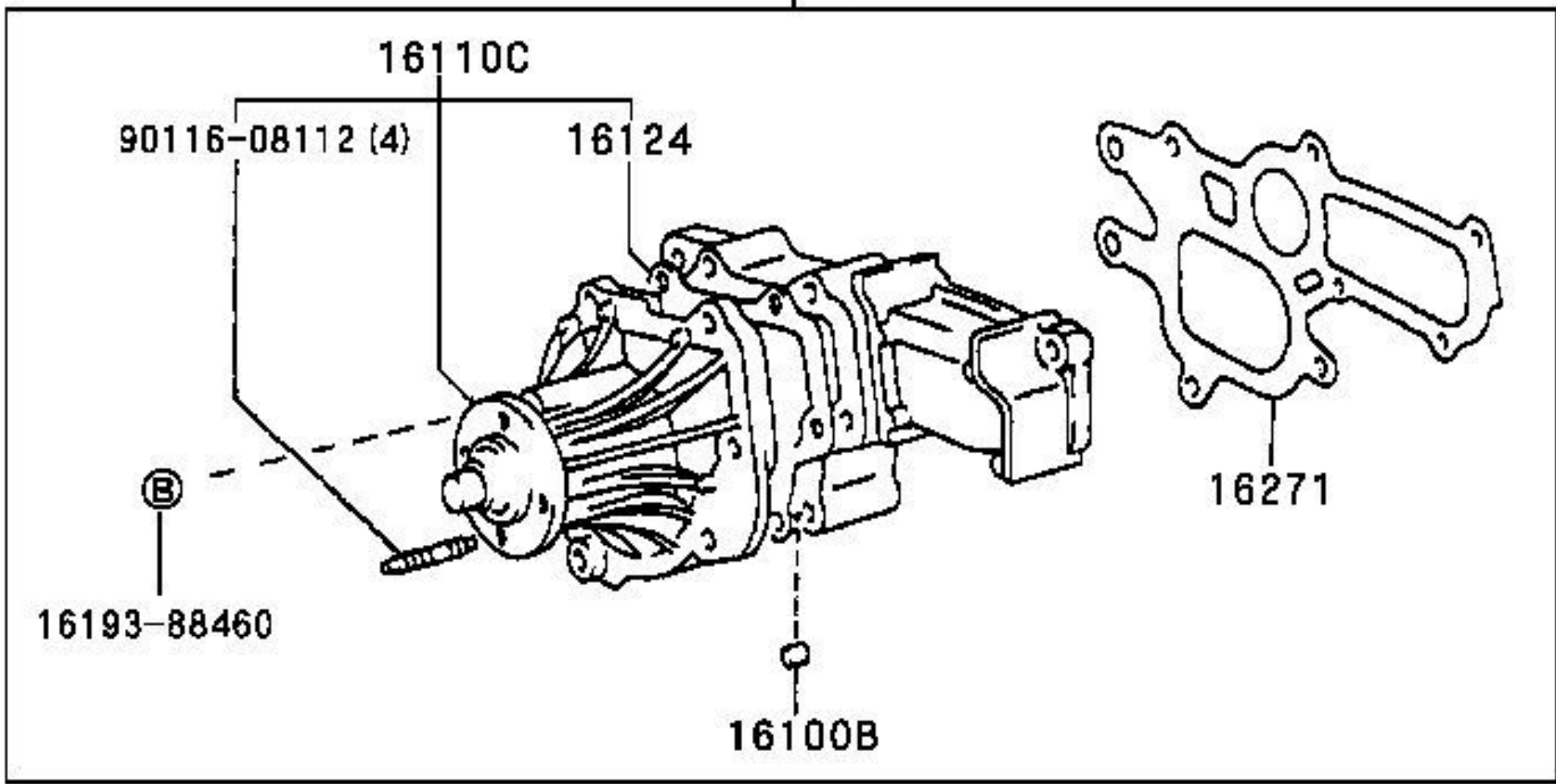
※1 11285

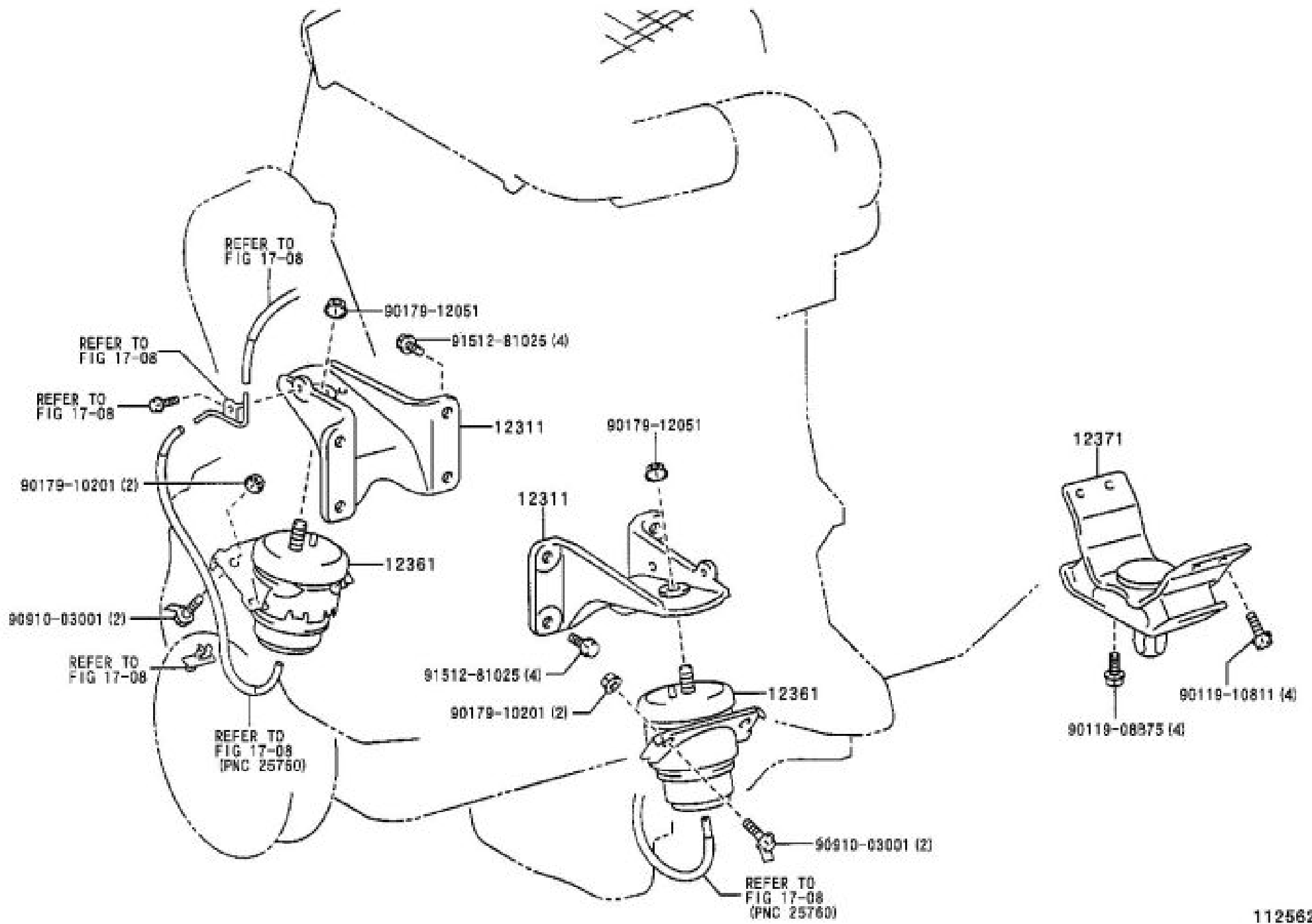


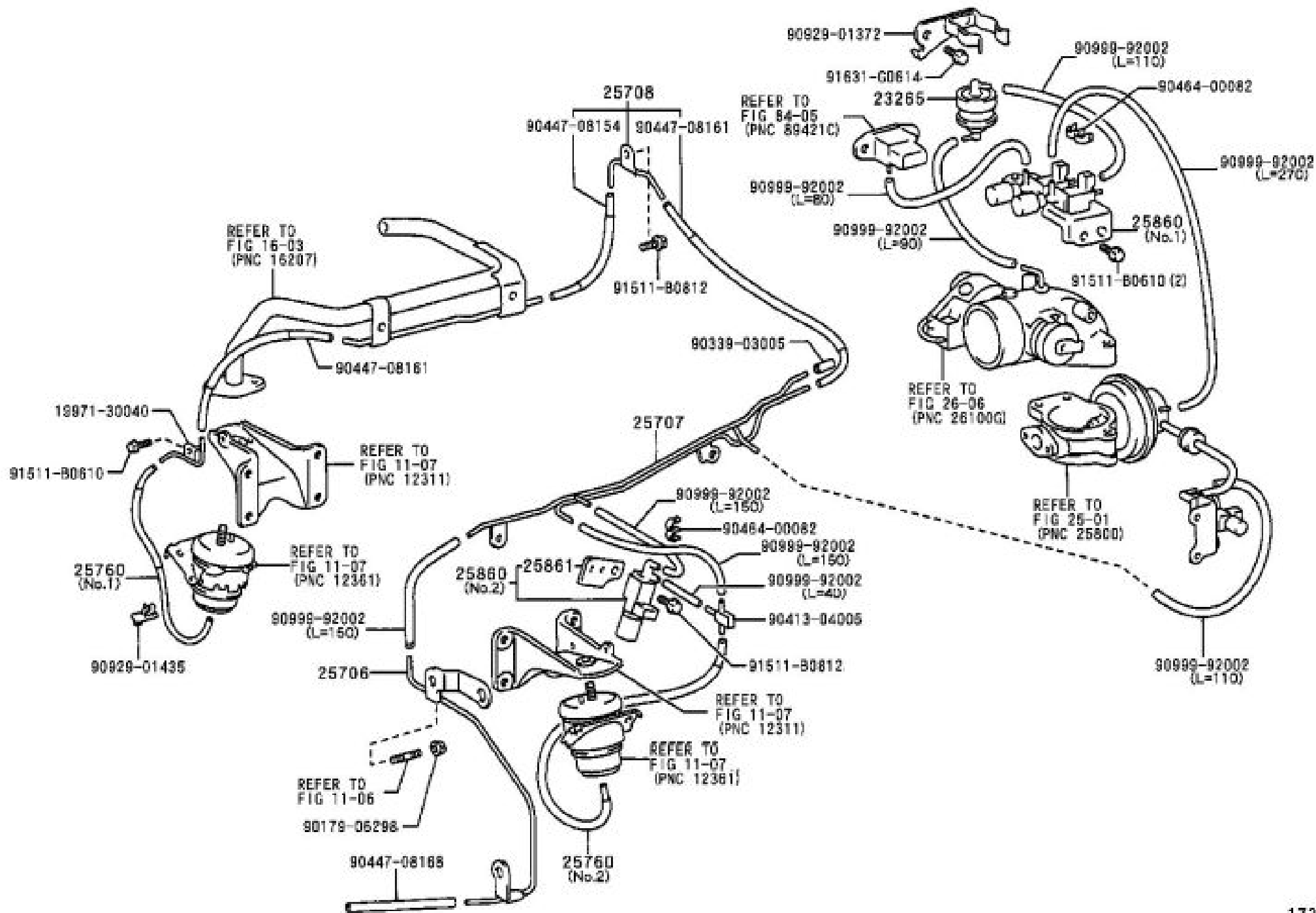
※1 (0307-)

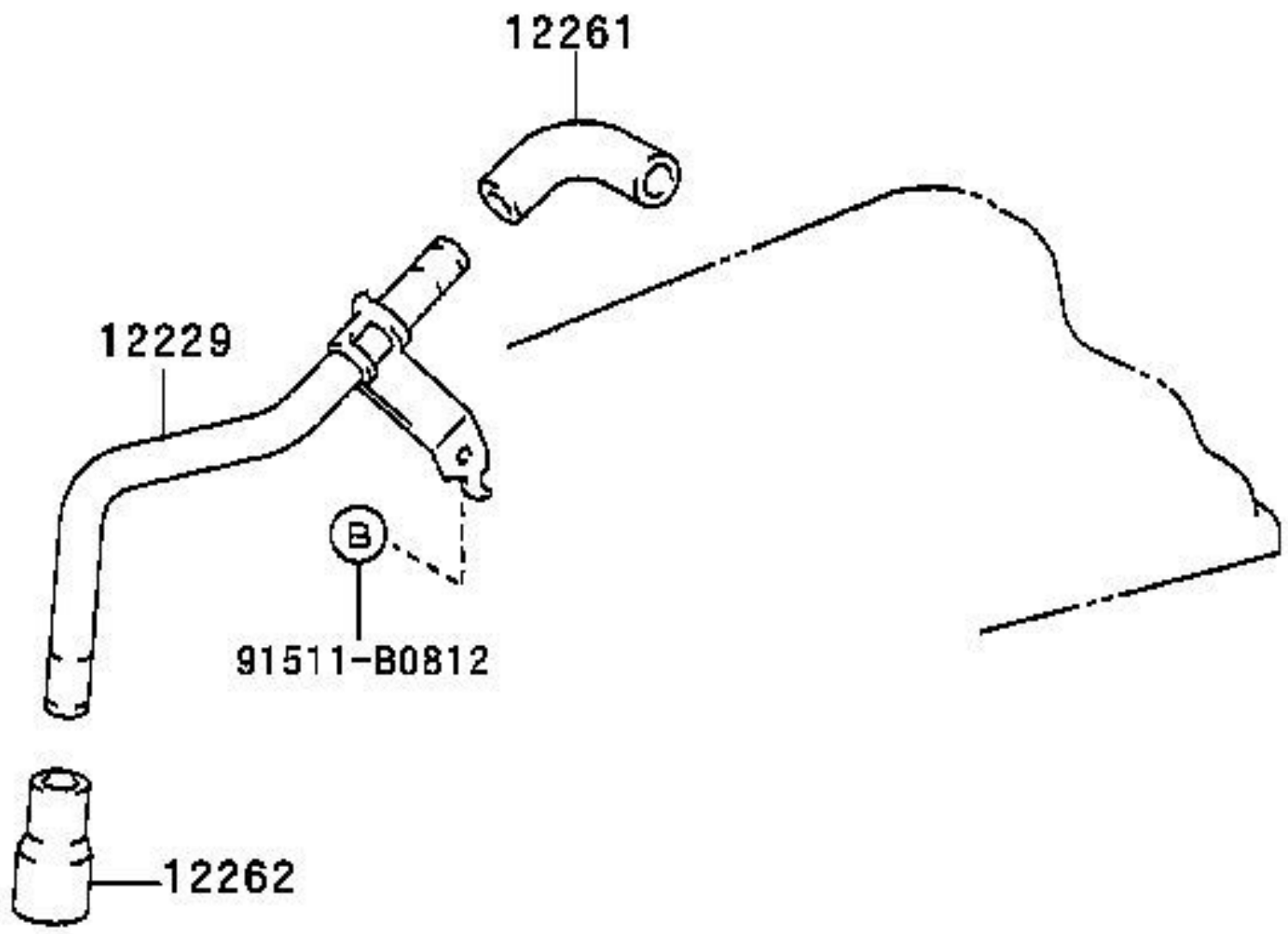


16100



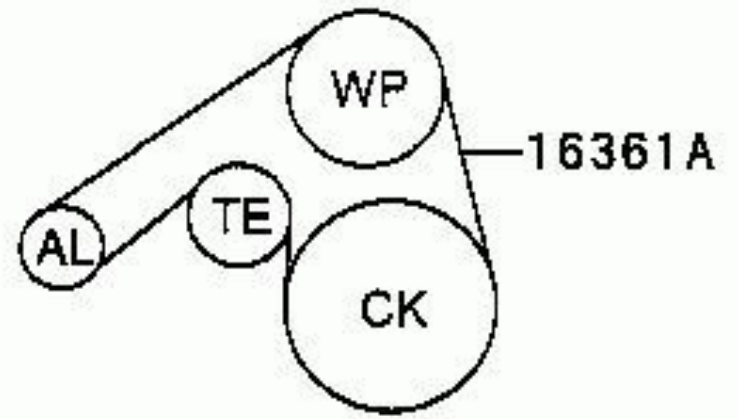






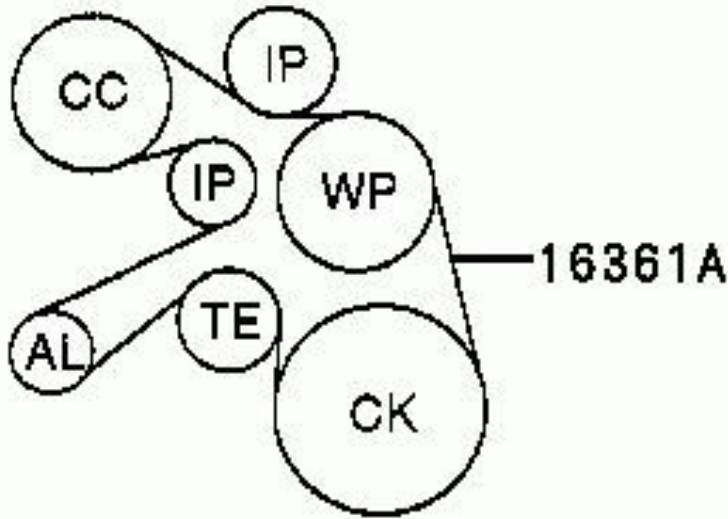
IP : IDLE PULLEY
 VP : VANE PUMP
 AL : ALTERNATOR
 CK : CRANKSHAFT
 CC : COOLER COMPRESSOR
 WP : WATER PUMP
 TE : TENSIONER
 PH : PREHEATING HEATER
 AT : AUTO TENSIONER
 PS : POWER STEERING

1KD#



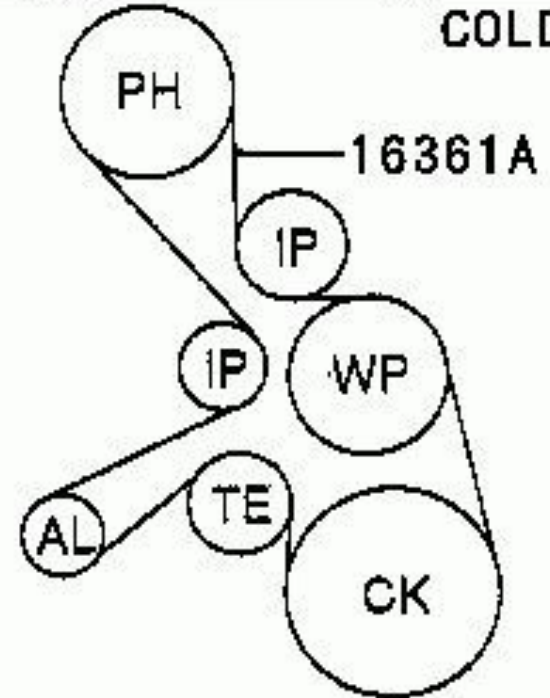
1KD#

W (AIR CONDITIONER)



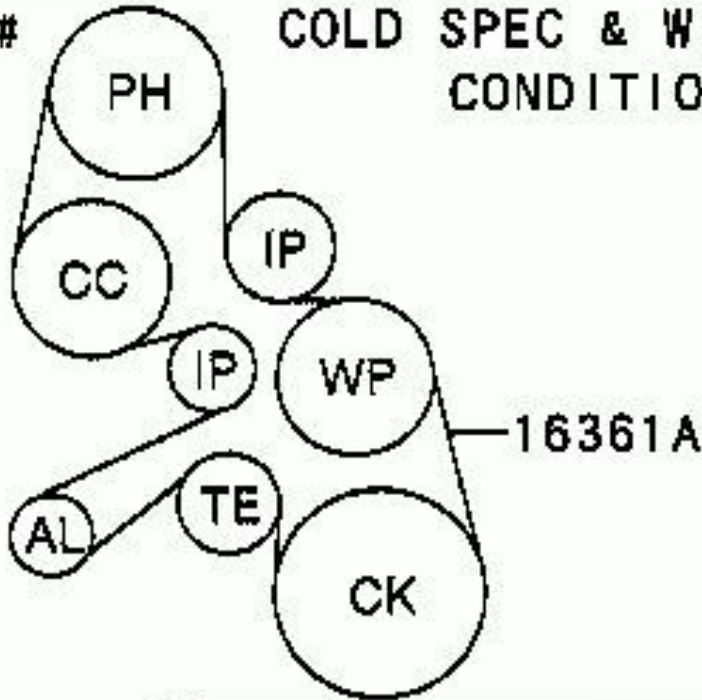
1KD#

COLD SPEC

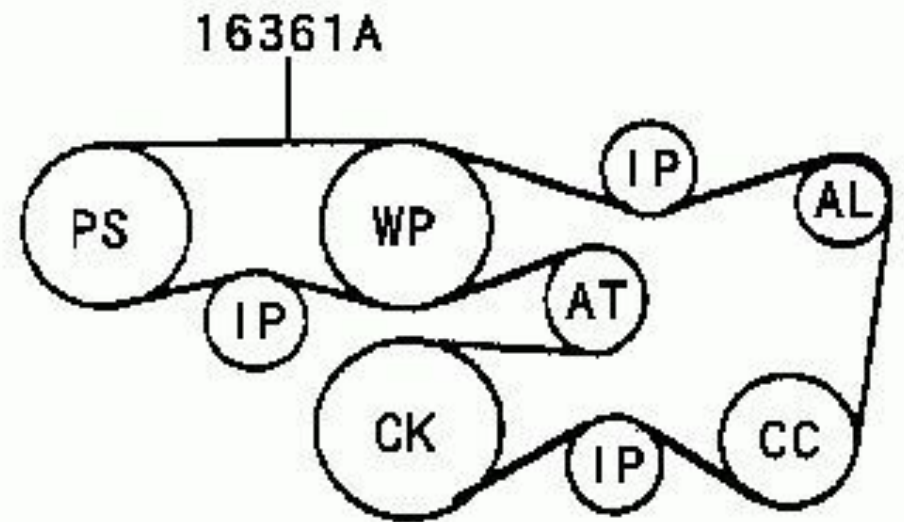


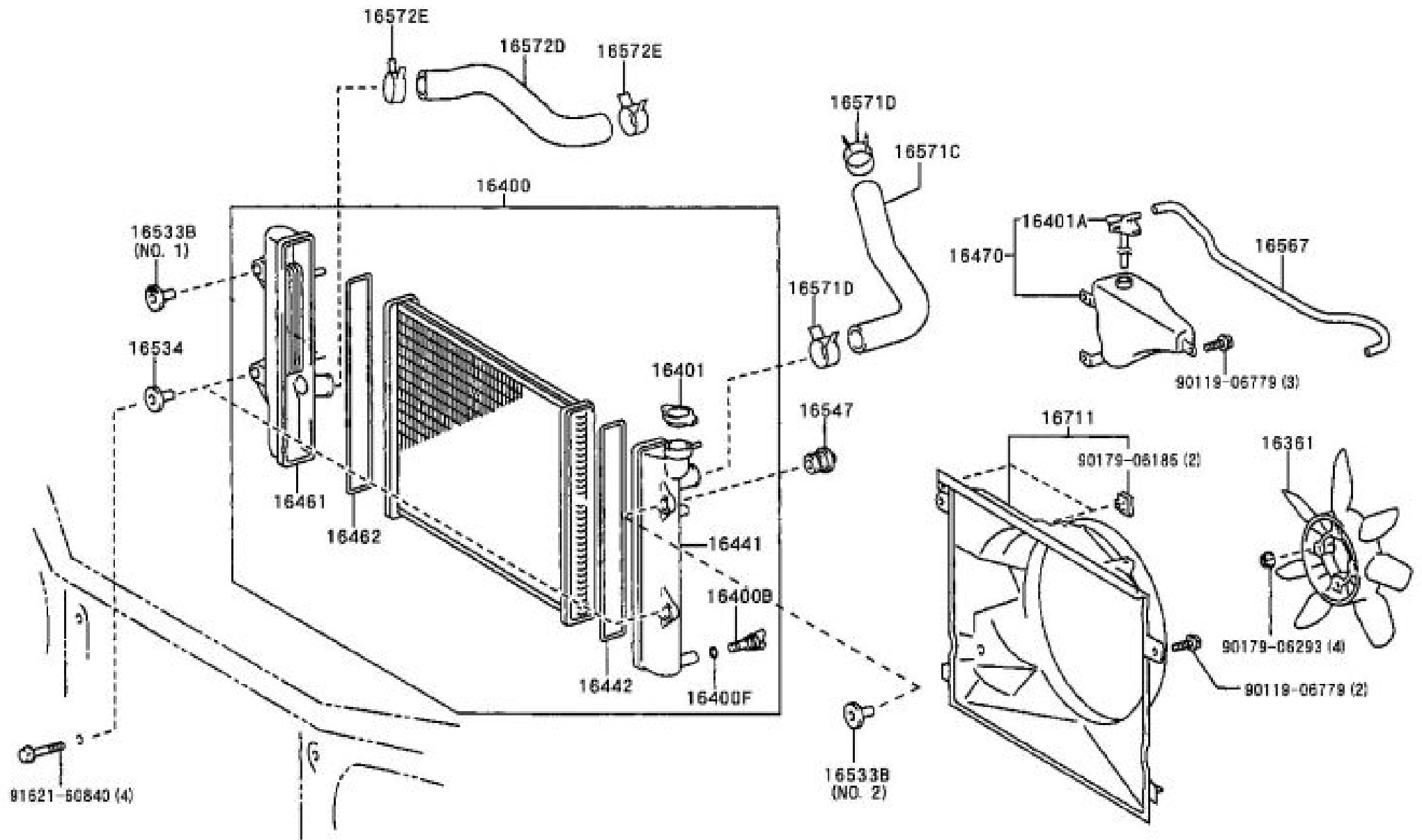
1KD#

COLD SPEC & W (AIR CONDITIONER)

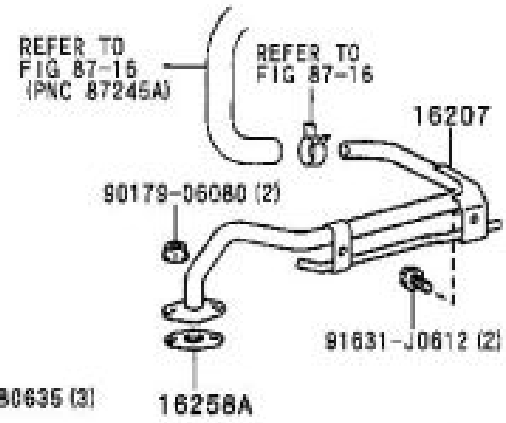
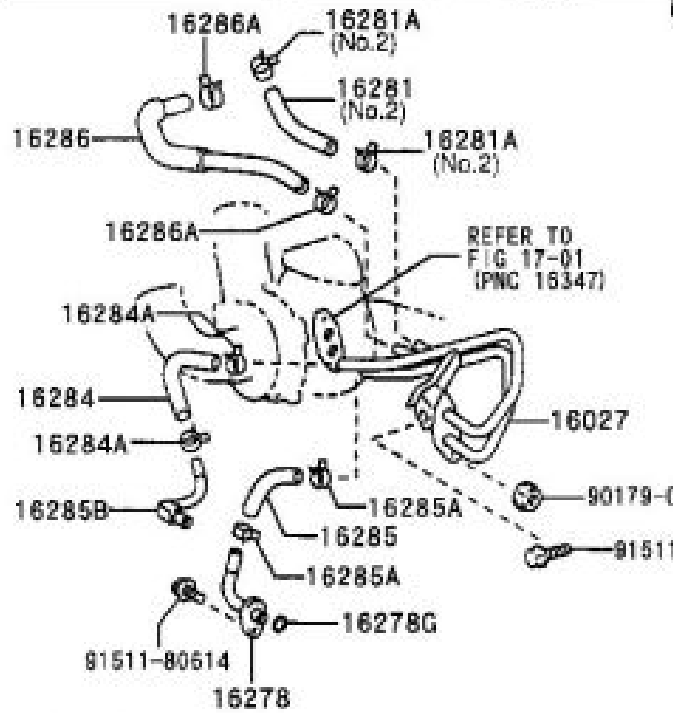


1GR#

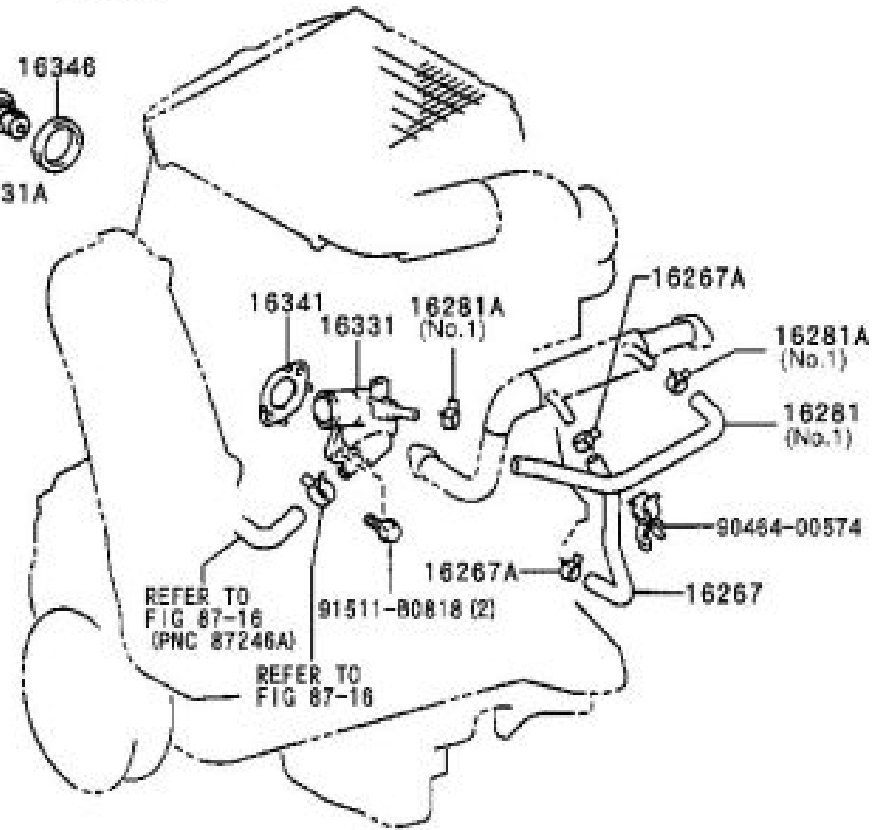
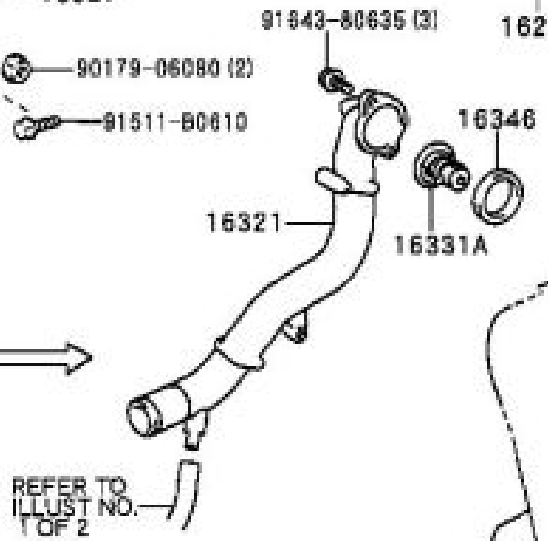
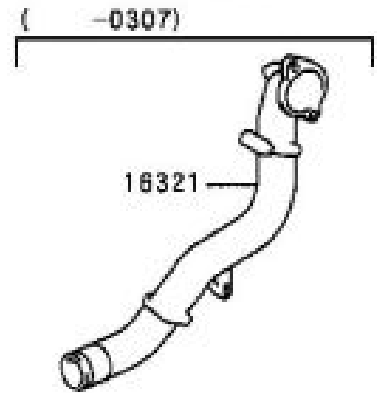
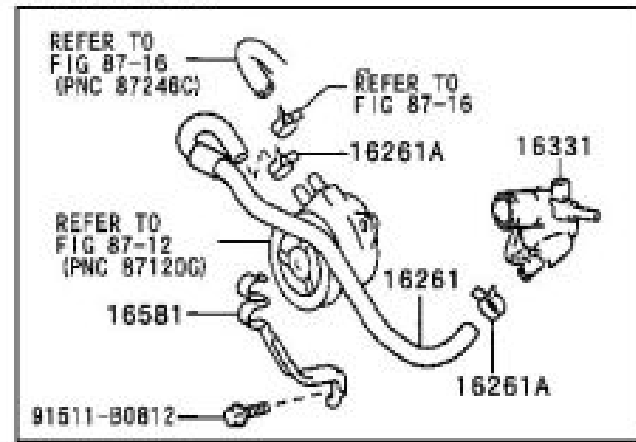


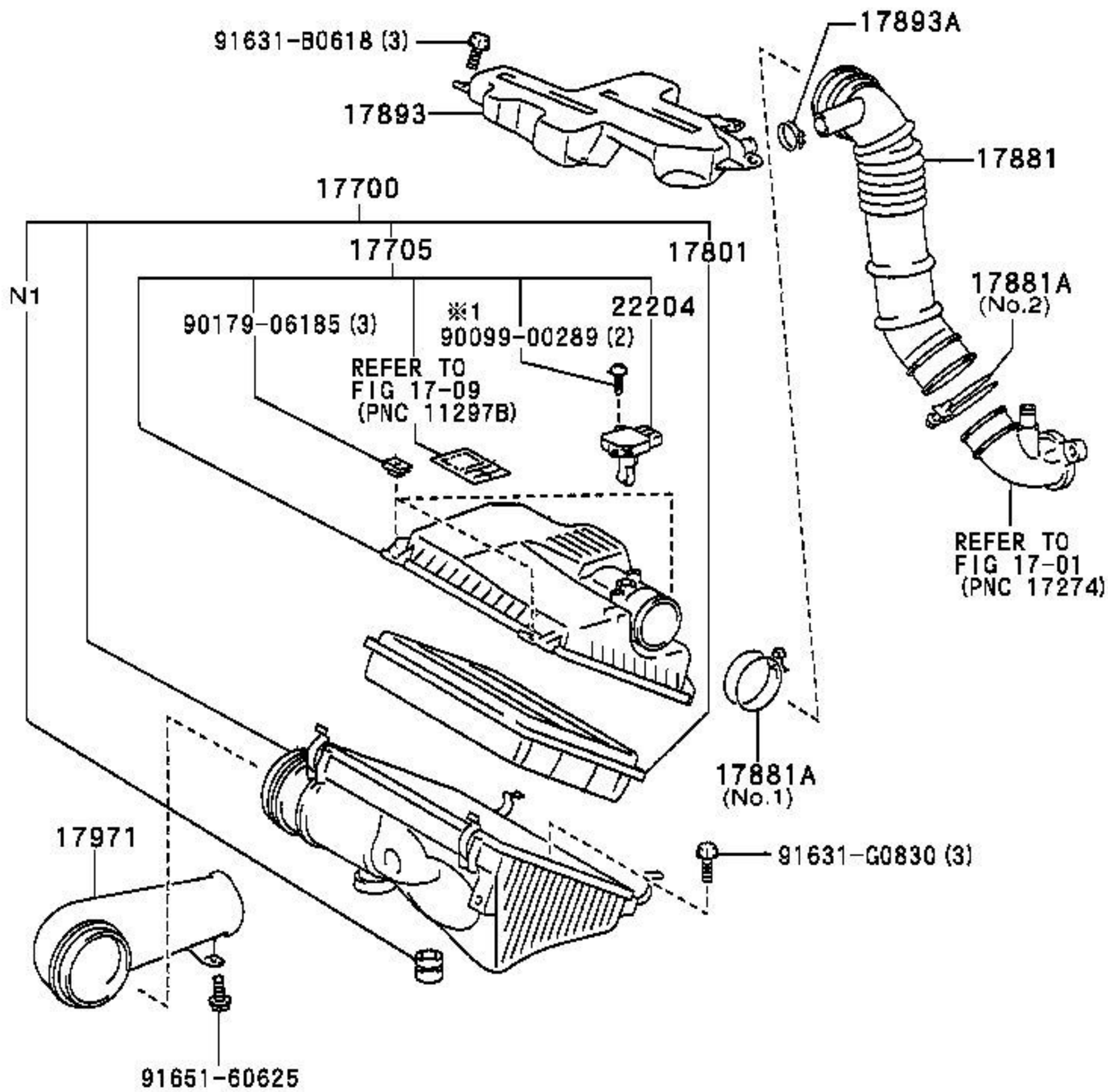


RH SIDE



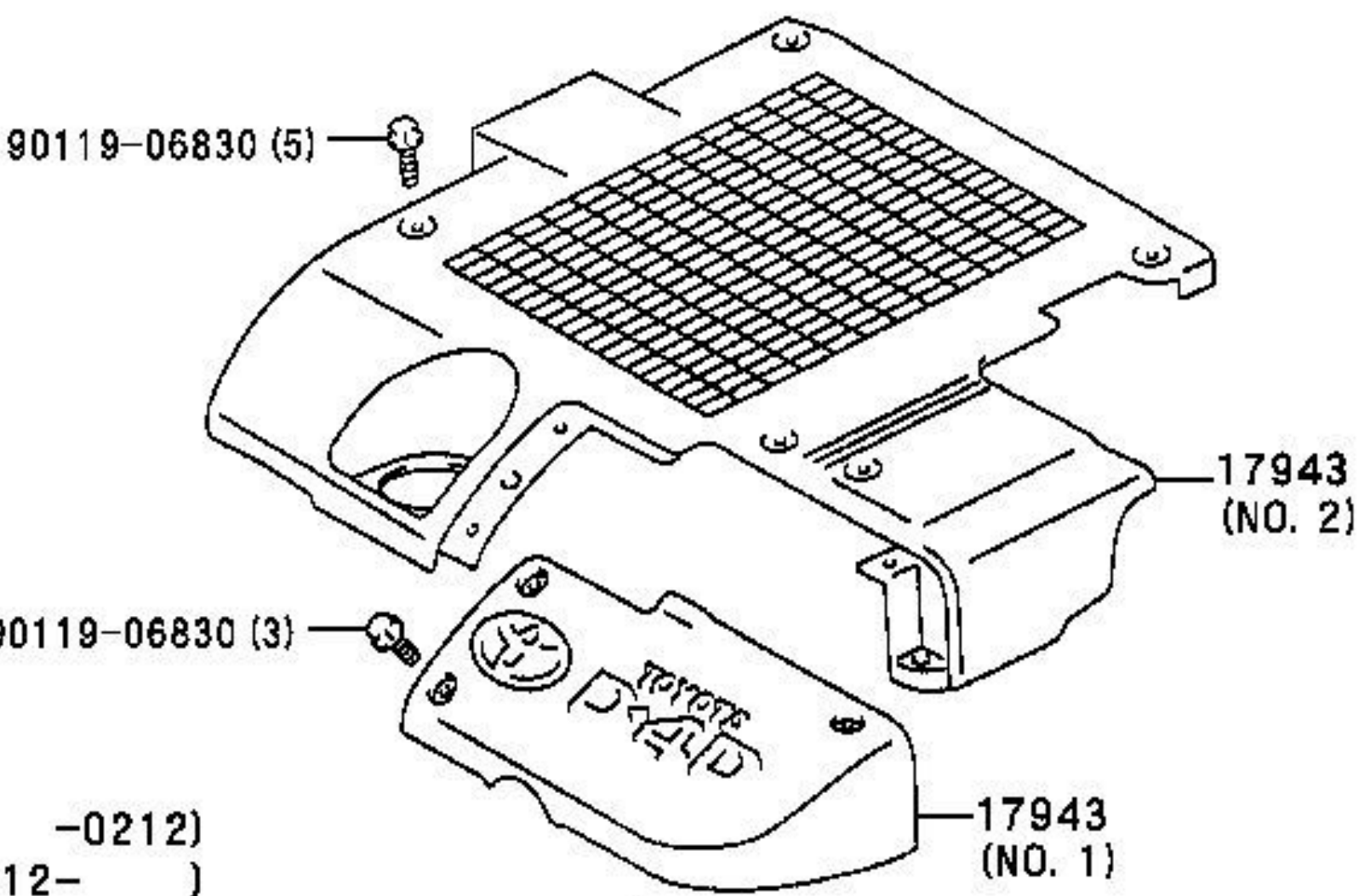
W (COLD SPEC)



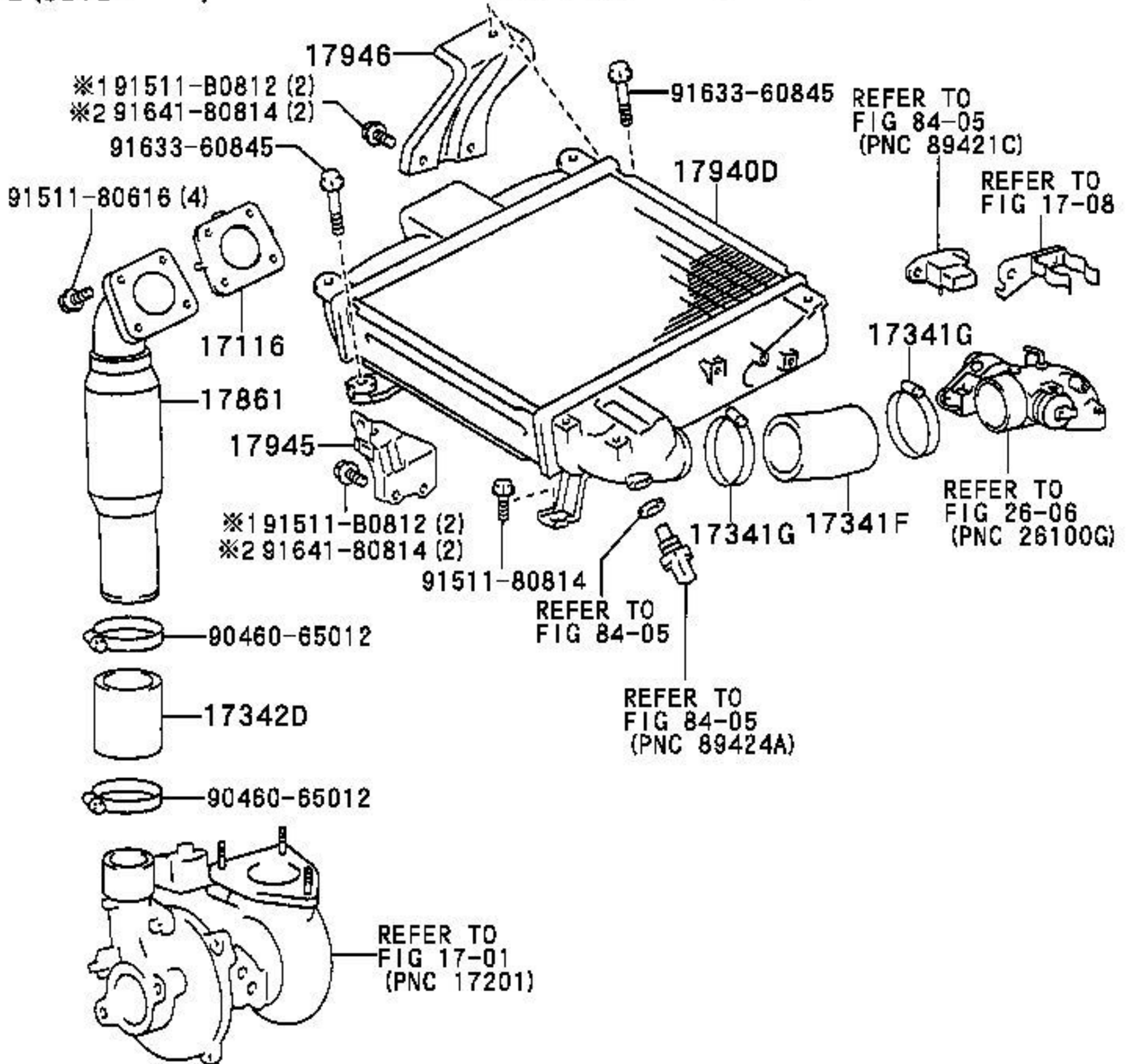


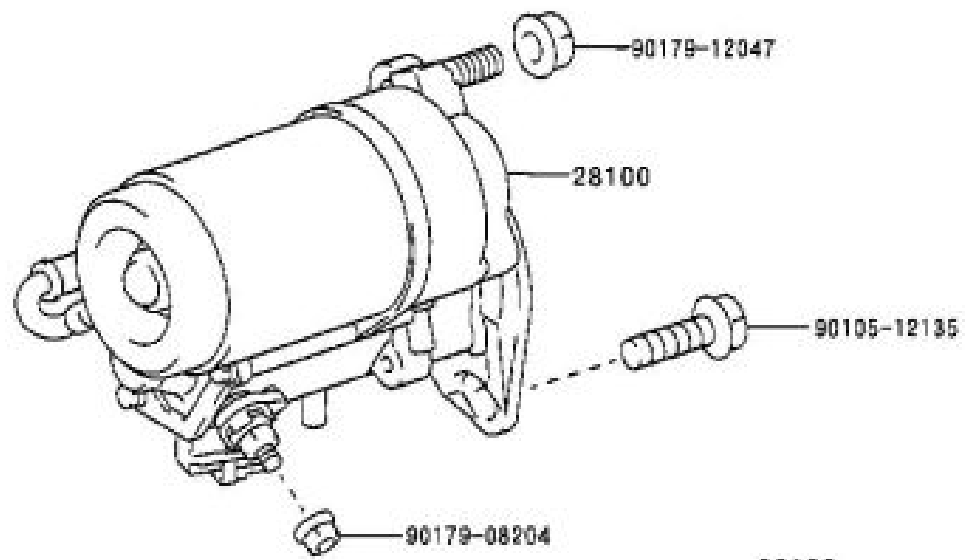
※1 (0302-)

N1 This part is not supplied as an individual part, because it is hard to assemble / disassemble due to the structure

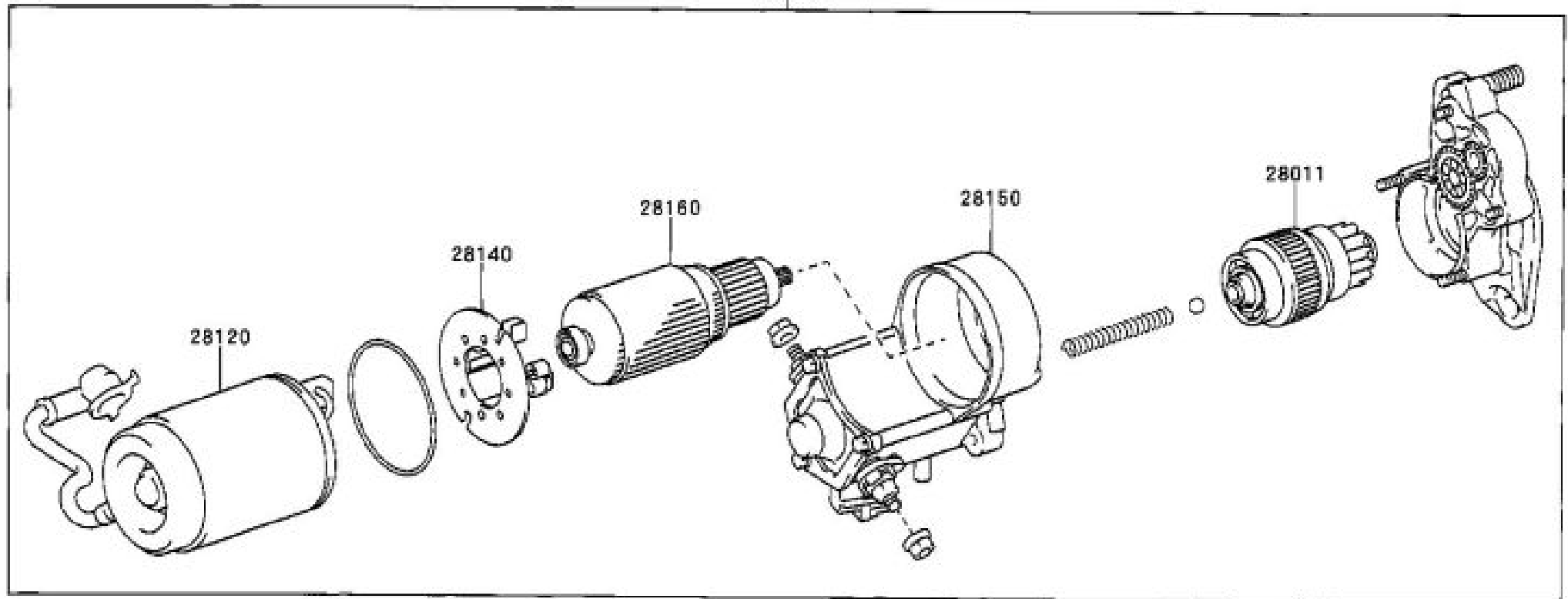


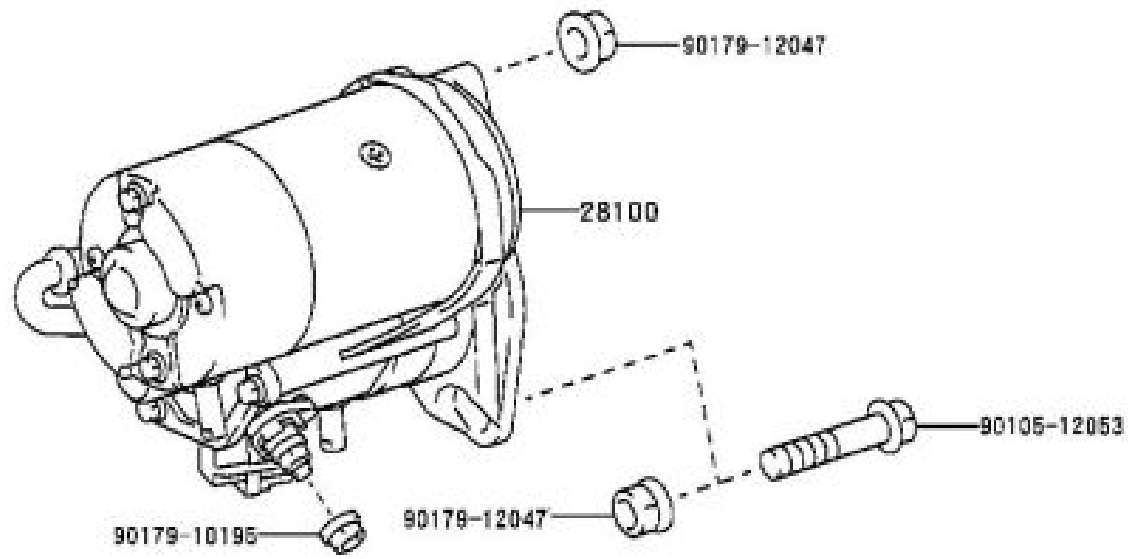
※1 (-0212)
 ※2 (0212-)



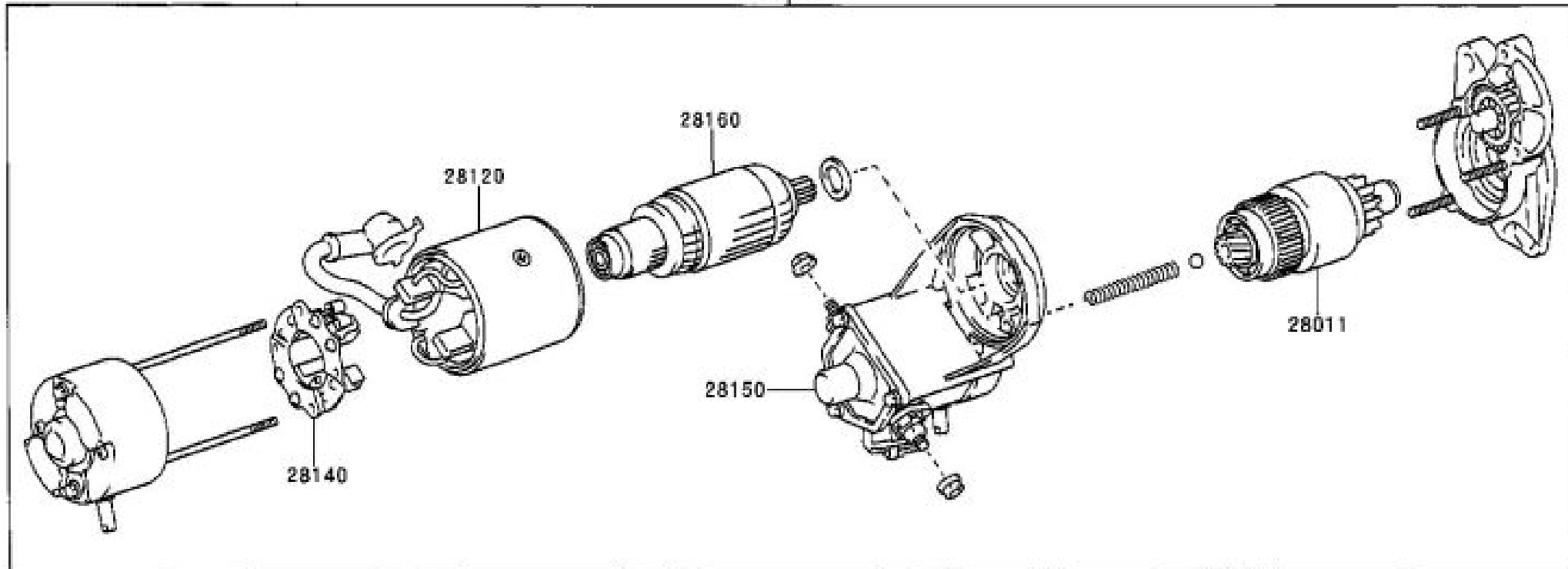


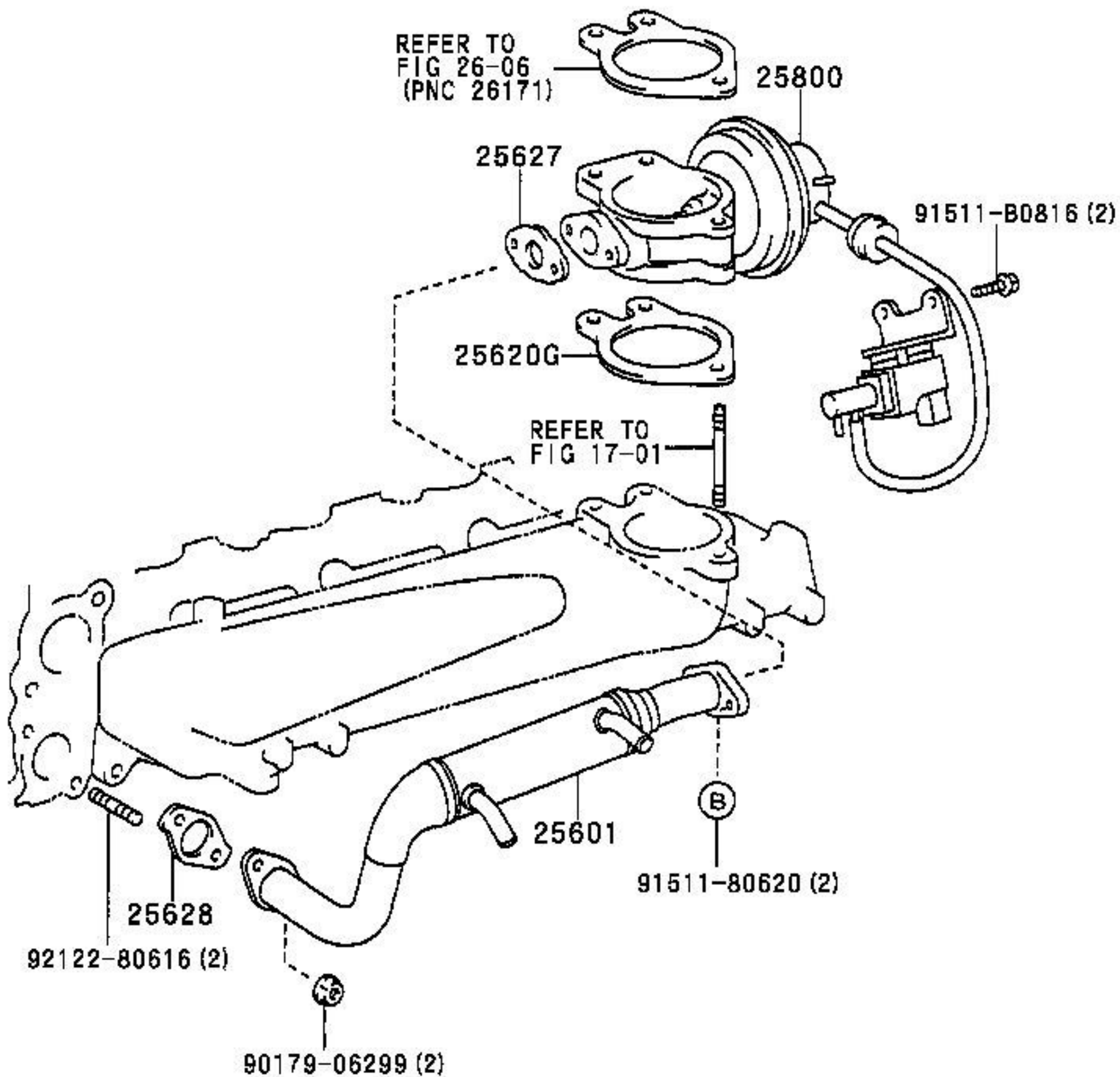
28100

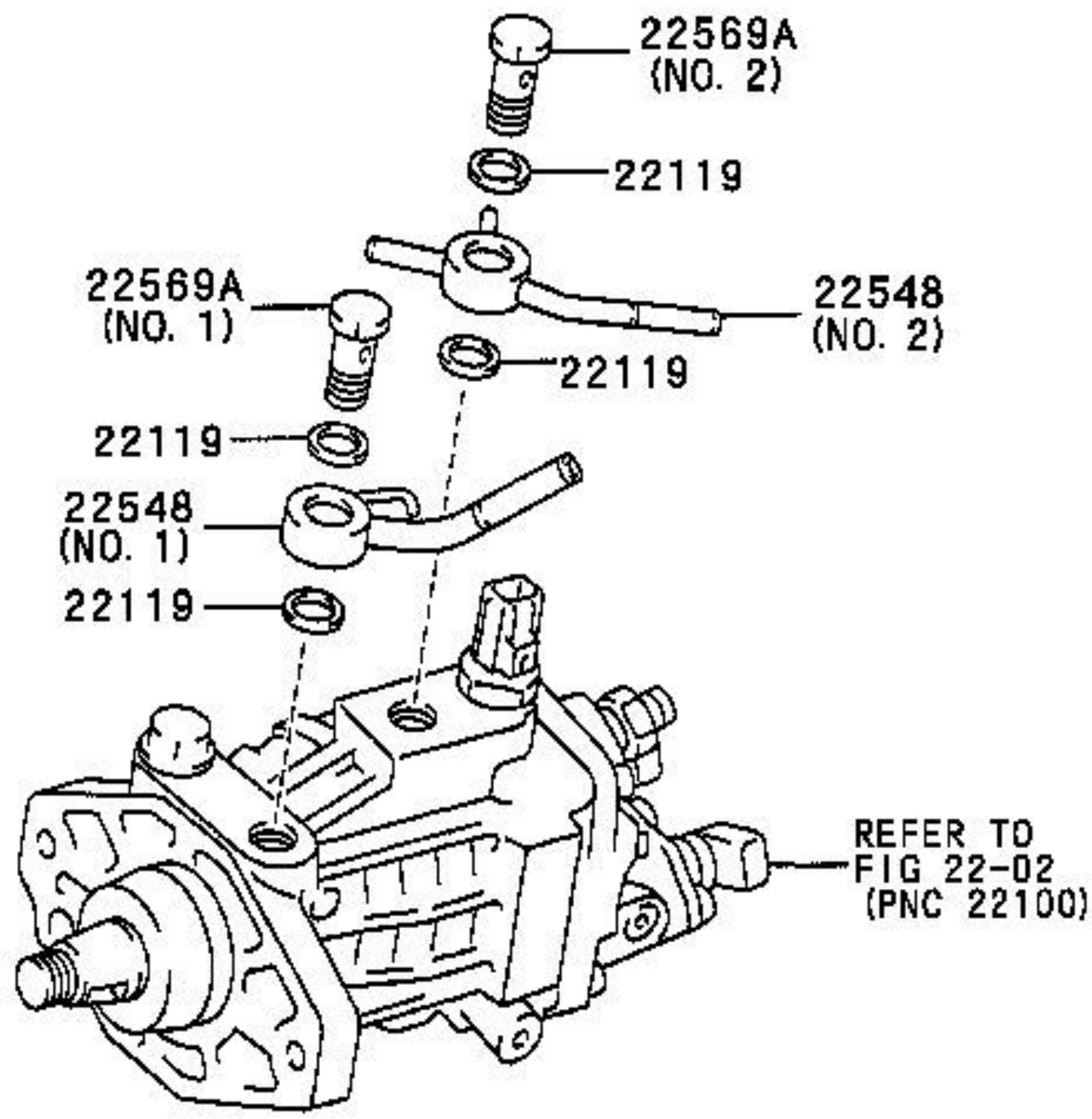


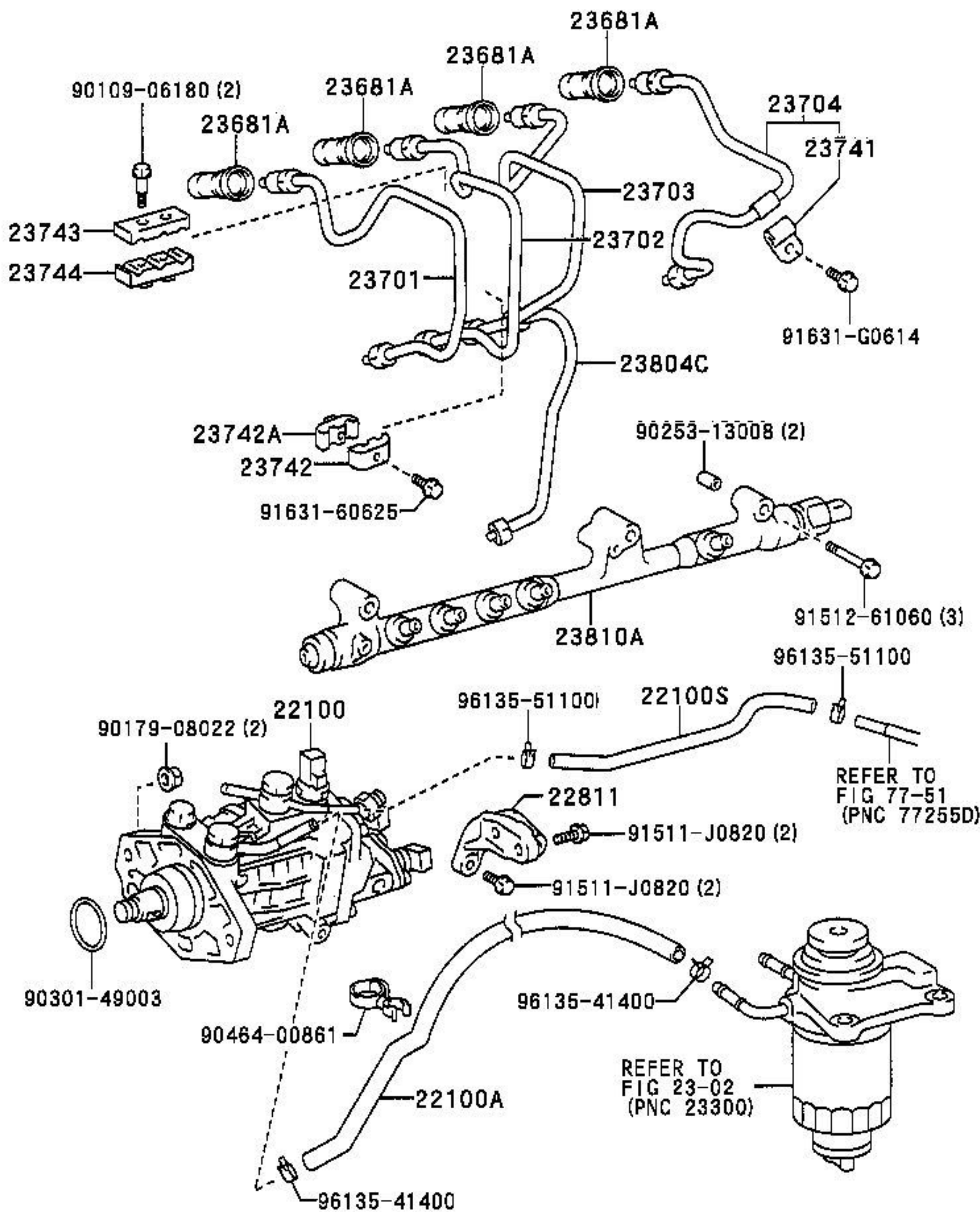


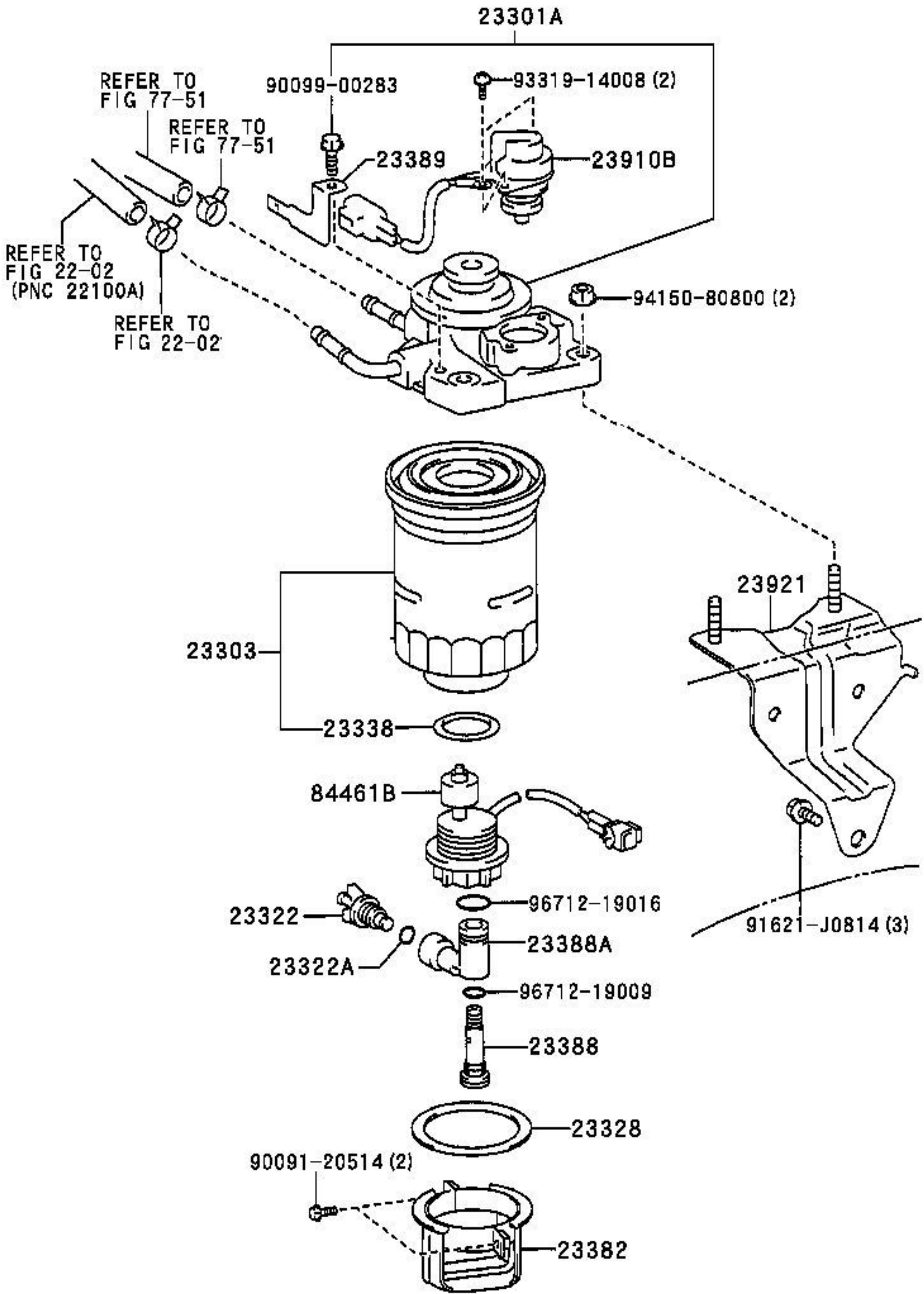
28100











REFER TO
FIG 77-51

REFER TO
FIG 77-51

REFER TO
FIG 22-02
(PNC 22100A)

REFER TO
FIG 22-02

